

Qayin
凯音

便携式无损音乐播放器

简易操作指南



感谢购买 Cayin N8ii 便携式无损音乐播放器。这是简易操作指南，能助您尽快掌握本机的基本操作。

● 包装清单 -----

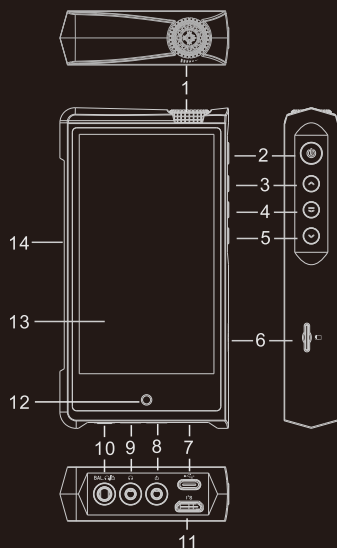
- N8ii 主机 -----1 台
- 操作指南 -----1 本
- 显示屏钢化保护膜-----1片
- Hi-Res 标贴----- 2 个

- 皮套 -----1 个
- USB Type-C 数据线 -----1 条
- 4.4mm 到 2.5mm 转换头 ---1 个
- 3.5mm 到 2.5mm 转换头----1个

首次打开包装请核对以上物品是否齐全。

● 按键和菜单 -----

- 1、音量旋钮
- 2、电源/息屏/亮屏键
- 3、选曲键（上一曲/快退）
- 4、播放/暂停
- 5、选曲键（下一曲/快进）
- 6、Micro SD（TF）卡槽
- 7、USB 多功能接口
（USB/SPDIF，使用
USB Type-C 接口）
- 8、3.5mm 单端线路输出
- 9、3.5mm 单端耳机输出
- 10、4.4mm 平衡耳机/线路输出
- 11、I²S 输出接口（使用 Mini HDMI 接口）
- 12、返回/HOME 键/充电指示灯
- 13、触摸显示屏
- 14、电子管



● 设置和菜单 -----

从屏幕顶部中间向下拖拽，可以进入通知中心 (Notification Center)，再向下拖拽一次，便可进入快速设定页进行设置，点击下拉菜单下面的齿轮图标可进行全面的设置。除了常见的 Android 功能外，快速设定页提供了以下快捷设置功能：



1. 增益设置：设定放大电路的增益。共提供低增益 (LdB)、中增益 (MdB) 和高增益 (HdB) 三种增益选择，在相同的音量值下，不同增益时本机的输出电平不同，耳机的实际音量也不同。
2. 功率模式：
本机提供两种功率模式选择，分别为“P”、“P+”。
注：P+模式额定输出功率和增益都比P模式高，但整机消耗功率也更大，续航时间更短，请根据需要选择。
Class A模式下，P+不可使用。

3. 电子管音色/晶体管音色：

本机提供两种音色选择，分别为“电子管音色”和“晶体管音色”，请根据喜好选择。

4. 放大模式：

本机提供两种放大模式，分别为“Class A”、“Class AB”；

“Class A”为A类（甲类）工作状态；

“Class AB”为AB类（甲乙类）工作状态。

注：Class A时耳放电路的静态电流比Class AB大，音色也有变化，但整机消耗功率也更大，续航时间更短，请根据需要选择。

P+模式下，Class A不可用。

- ### 3. 音频设置：设定音频方面的功能，包括设定数字滤波器模式、DSD滤波器、数字输出、Line Out设定、增益、DSD增益补偿、声道平衡和最大音量功能。请注意：这些菜单中的设置将影响安装在 N8ii 中的所有应用程序。（启动Cayin音乐应用程序后，您可以单击左上角的设置图标或从屏幕左侧中间向右滑动，进入应用菜单。里面包含扫描音乐，均衡器和封面和歌词等选项。）

从屏幕底部向上拖拽到屏幕中部再松开，进入多任务列表。此处可以查看或者切换正在进行的任务，可以将窗口按住向上滑出，选择并清除正在进行的任务。如果您按住任何任务窗口并缓慢向右移动，屏幕左侧将出现“全部清除”选项，您可以一次性终止所有活动的应用程序。

● 基本操作 -----

1. 开关机及屏幕开关

将电源按键短按一下即可息屏或亮屏。在关机状态下，按下电源按键 3 秒钟便可开机。在亮屏状态下，短按电源按键，显示屏会进入到息屏状态；再短按电源按键，显示屏会亮屏；长按电源按键3秒，显示屏弹出关机/重新启动/屏幕截屏确认界面，可按需要选择关机或重新启动或截屏。如需强制关机，可同时按电源按键和上一曲按键15秒。

2. 连接电脑管理文件

用本机提供的 USB Type-C 数据线将本机与计算机连接后，本机弹出系统信息栏，点击系统信息栏将 USB 的使用方式设置为“文件传输”，即可通过电脑管理本机内存和TF卡上的文件，可对文件进行复制，移动，删除等操作。本机 microSD(TF) 卡槽，支持不超过 1.0TB 的 SDHC 和 SDXC 类别的 TF 卡。

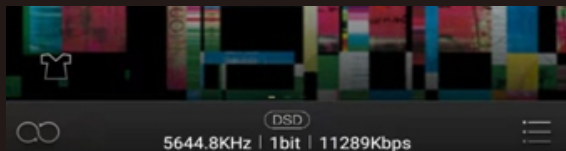
3. 连接耳机

本机配备了1个4.4mm平衡耳机接口和1个3.5mm单端耳机接口用于直接驱动耳机，请根据耳机插头类型将耳机插入合适的耳机接口，便可以直接驱动耳机听歌。如果使用2.5mm平衡插头耳机，可以使用随本机附送的“4.4mm to 2.5mm转换头”或“3.5mm to 2.5mm转换头”进行转换，再插入2.5mm平衡插头耳机。

4. 播放音乐 (使用 Cayin 音乐 APP)

Cayin 音乐 APP 支持丰富的音频文件格式，具有无损还原、无损输出的强大功能，可以显著提升音乐播放器的数字音频信号的处理精度和还原能力。本机固件已内嵌Cayin音乐APP，建议您优先选择使用。

- (1) 在 Cayin 音乐的主界面点击“文件夹”，点击“本机内存”、“Micro Sd卡”或“OTG”盘符，可浏览音乐文件并选择文件直接播放，也可在 Cayin 音乐的设置界面下点击“扫描音乐”，完成扫描并更新音乐库后，可根据您喜好在 Cayin 音乐主界面点击“歌曲”、“专辑”、“歌手”、“风格”等音乐分类界面选择音乐文件播放。
- (2) 当 N8ii 开始播放你所选的音乐档，Cayin 音乐 APP 会进入音乐播放界面，点击相应图标，可以向前或向后跳曲、播放或暂停，还可以设置播放模式、查看播放清单，音乐格式及输出信息等，点击、拖动进度条可以快进和快退。单击专辑封面左下角的可以更改播放主题。



5. 调节音量

旋转音量旋钮，可调节耳机输出音量。顺时针旋转使音量增大，逆时针旋转使音量小。

调节音量时会弹出音量调节界面，在音量调节界面上下滑动屏幕也可以调节音量。在音量调节界面上下滑动屏幕也可以快速调节音量，或单击“+”和“-”图标微调音量设置。

6. 播放、暂停

在播放中，短按播放/暂停键可暂停播放，再按一次可由暂停位置开始播放。

7. 跳曲播放

短按上一曲/快退键，跳转至上一曲并播放；短按下一曲/快进键，跳转至下一曲并播放。

长按上一曲/快退键，App 会进入快退操作（无声），停止长按后App 会在新位置继续播放。长按下一曲/快进键，App 会进入快进操作（无声），停止长按后App 会在新位置继续播放。

8. 返回界面

在任何界面短按返回/ HOME 键，返回上一级界面；长按返回/ HOME 键会直接返回主界面。

9. 状态指示灯

格式灯：

- 黄色：44.1/48 kHz
- 酸橙绿色：88.2/96 kHz
- 品蓝色：176.4/192 kHz
- 紫罗兰色：352.8/384 kHz
- 青蓝色：705.6/768 kHz
- 白色：DSD

充电指示：

- 红色：充电中为呼吸式闪烁，充满为常亮。

备注：用户可在系统设置中选择“打开”或“关闭”指示灯。若边充电边播放，则只有充电灯工作，格式灯关闭。

● 连接其他器材 -----

1. 连接其他播放器作USB解码

(1) 本机可作为 USB Audio 解码器使用。使用本机提供的 USB Type-C 数据线连接具有 USB Audio 输出功能的其他播放器后，本机将弹出系统信息栏，点开系统信息栏将 USB 使用方式设置为“音频输入”，本机 USB Audio 解码功能生效，并显示 USB DAC 解码器界面，在解码器状态，本机的本地播放进程会被终止。

(2) 本机支持的播放器包括电脑媒体播放器、Cayin 品牌无损音乐播放器及部分智能手机。

(3) Windows 系统需安装 Cayin USB Audio Driver 驱动程序，请浏览 Cayin 官网下载并安装适合本机的最新版驱动程序。

注意：本机的USB Audio Driver 驱动程序只支持win10及以上的Windows系统。

(4) Mac OS、Cayin 品牌无损音乐播放器及智能手机无需安装驱动程序。

注意：在解码器状态，本机会通过 USB 接口从连接的播放器吸取电流并给本机充电，如果连接的播放器USB接口供电能力不足，请选择“音频输入(USB不供电)”。

2. 连接数码音响器材

本机具有 USB Audio, S/PDIF、I²S 数字音频信号输出功能，请根据需要选择使用。

(1) USB Audio 输出：本机 USB Audio 信号通过 USB Type-C 接口输出。可使用 USB OTG 转接头 (如 USB Type-C to USB Type-A 转接头) 再串接 USB 数据线连接具有 USB Audio 接收功能的数码音响器材 (如数模转换器)。在 USB Audio 输出状态，本机会关闭耳机、线路模拟音频输出及 S/PDIF、I²S 数字音频输出。

(2) S/PDIF 输出：本机 S/PDIF 信号通过 USB Type-C 接口输出。这是凯音自家开发的数码传输，需使用凯音专属规格的Type-C to RCA 或 Type-C to 3.5mm 75Ω同轴数字音频信号线 (需另行购买) 连接外部数模转换器。

(3) I²S输出：本机I²S信号通过 HDMI Type-C 接口输出。请使用高质量 HDMI 信号线(需另行购买) 连接具有I²S信号接收功能的外部数模转换器。

注意：

在使用 (2) 或 (3) 时，需在本机“音频设置”界面将“数字输出”按需要设定为“S/PDIF”或“I²S”，并在耳机输出和线路输出插座都不插耳机或信号线，才能输出所需的数字音频信号。

本机 HDMI 接口针脚功能是公司自定义，只兼容 Cayin 品牌的数模转换器，虽采用标准的 HDMI 信号线，但不兼容标准的 HDMI 设备，也不保证兼容其它品牌的I²S数模转换器。

3. 连接模拟音响器材

本机配备了 1 个 3.5mm 单端线路输出接口，用于连接外部功率放大器使用。将信号线的 3.5mm 单端插头插入本机的线路输出接口，另一端插入功率放大器的线路输入接口，即可输出线路音频信号给功率放大器使用。

本机还配备了1个4.4mm平衡PO/LO复合功能输出接口，如需通过4.4mm平衡接口输出平衡线路输出信号，需在下拉设置界面将BAL状态设定为LO。

注意：线路输出信号的音量不受本机控制。

- 蓝牙/WiFi -----

连接蓝牙设备以无线方式听音乐。蓝牙设备在使用前需与Cayin N8ii配对。打开WLAN连接可以访问国际互联网。

- 充电 -----

本机支持 QC3.0 快充，也兼容普通 USB 充电器。请使用随本机附送的 USB 数据线对本机充电，充电时本机会显示充电图标及实时电量，环形充电指示灯闪烁表示正在充电中，常亮表示电池已被充满。

- 固件升级 -----

Cayin 会按需要发布新固件来改善及优化N8ii 的功能，请按官网 www.cayin.cn发布固件的说明完成固件升级程序。

● 产品规格

基本产品资料			
CPU 型号	高通骁龙 660	操作系统	Android 9.0
DAC	BD34301EKV×2	电子管	KORG Nutube 6P1×2
屏幕	5吋OLED屏	WiFi	IEEE 802.11 a/b/g/n/ac
机身净重	约 442 g	外形尺寸	约 147*77.5*25mm
电池规格	3.8V 10000mAh (38Wh)		

电池数据指标					
续航参数	测试条件	息屏、关闭无线连接、多格式混播、32Ω负载、中增益、Class AB、音量30、播放音乐文件			
		电子管模式		晶体管模式	
		3.5单端	4.4平衡	3.5单端	4.4平衡
	标准功率模式	约10 H	约9H	约11 H	约10H
	高阻大功率模式	约9 H	约8 H	约10 H	约9H
充电参数	充电条件	普通充电器 (5V-2A)	快速充电器 (QC3.0)		
	充电时间	~7H	~4.5H*		

* QC3.0从20%电量充电至80%电量约2小时。

耳机输出				
3.5PO 晶体管	输出功率	标准功率模式	16Ω	420mW
			32Ω	240mW
			64Ω	140mW
		高阻大功率模式	16Ω	720mW
			32Ω	480mW
			64Ω	240mW
	频率响应	20Hz-20kHz(±0.2dB,Fs=192kHz)		
	总谐波失真 +噪音	0.003% (1kHz,1Vrms,Fs=192kHz;20Hz-20kHz,A-Weighted)		
动态范围	121dB (20Hz-20kHz, A-Weighted)			
信噪比	121dB (20Hz-20kHz, A-Weighted)			
分离度	78dB (1kHz, Fs=44.1kHz)			
输出阻抗	0.6Ω			
4.4 PO 晶体管	输出功率	标准功率模式	16Ω	760mW
			32Ω	480mW
			64Ω	300mW
		高阻大功率模式	16Ω	1200mW
			32Ω	750mW
			64Ω	375mW
	频率响应	20Hz-20kHz(±0.2dB,Fs=192kHz)		
	总谐波失真 +噪音	0.001% (1kHz,1Vrms,Fs=192kHz;20Hz-20kHz,A-Weighted)		
动态范围	125dB (20Hz-20kHz, A-Weighted)			
信噪比	125dB (20Hz-20kHz, A-Weighted)			
分离度	110dB (1kHz, Fs=44.1kHz)			
输出阻抗	1.2Ω			

耳机输出				
3.5 PO 电子管	输出功率	标准功率模式	16Ω	420mW
			32Ω	240mW
			64Ω	140mW
		高阻大功率模式	16Ω	720mW
			32Ω	480mW
			64Ω	240mW
	频率响应	20Hz-20kHz(±0.2dB, Fs=192kHz)		
	总谐波失真 +噪音	0.1% (1kHz, 1Vrms, Fs=192kHz; 20Hz-20kHz, A-Weighted)		
	动态范围	112dB (20Hz-20kHz , A-Weighted)		
	信噪比	112dB (20Hz-20kHz , A-Weighted)		
分离度	78dB (1kHz , Fs=44.1kHz)			
输出阻抗	0.6Ω			
4.4 PO 电子管	输出功率	标准功率模式	16Ω	760mW
			32Ω	480mW
			64Ω	300mW
		高阻大功率模式	16Ω	1200mW
			32Ω	750mW
			64Ω	375mW
	频率响应	20Hz-20kHz(±0.2dB, Fs=192kHz)		
	总谐波失真 +噪音	0.05% (1kHz, 1Vrms, Fs=192kHz; 20Hz-20kHz, A-Weighted)		
	动态范围	120dB (20Hz-20kHz , A-Weighted)		
	信噪比	120dB (20Hz-20kHz , A-Weighted)		
分离度	110dB (1kHz , Fs=44.1kHz)			
输出阻抗	1.2Ω			

线路输出		
3.5 LO	输出电平	2.0V(@10kΩ, LO Level = High) 1.5V(@10kΩ, LO Level = Mid) 1.0V(@10kΩ, LO Level = Low)
	频率响应	20Hz-20kHz(±0.2dB,Fs=192kHz)
	总谐波失真+噪音	0.001% (1kHz,Fs=192kHz;20Hz-20kHz, A-Weighted)
	动态范围	121dB (20Hz-20kHz,A-Weighted)
	信噪比	123dB (20Hz-20kHz,A-Weighted)
	分离度	100dB (1kHz,Fs=44.1kHz)
4.4 LO	输出电平	4.0V(@47kΩ, LO Level = High) 3.0V(@47kΩ, LO Level = Mid) 2.0V(@47kΩ, LO Level = Low)
	频率响应	20Hz-20kHz(±0.2dB,Fs=192kHz)
	总谐波失真+噪音	0.001% (1kHz,Fs=192kHz;20Hz-20kHz, A-Weighted)
	动态范围	125dB (20Hz-20kHz,A-Weighted)
	信噪比	127dB (20Hz-20kHz,A-Weighted)
	分离度	107dB (1kHz,Fs=44.1kHz)

数字音频界面

I ² S	连接器：Mini HDMI (DAP 通过HDMI接口传输信号，与标准HDMI设备不兼容)
	最高支持 PCM 32Bit/768kHz
	最高支持 DSD 512
S/PDIF Coaxial	连接器：USB-C (75Ω)
	最高支持 PCM 24Bit/192kHz
	最高支持 DoP64
USB Audio Out	连接器：USB-C
	最高支持 PCM 32Bit/768kHz
	最高支持 DSD 512
USB Audio In (DAC)	连接器：USB-C、异步 USB Audio Class 2.0
	支持 Windows (需安装驱动)、Mac OS、Android (部分设备)
	最高支持 PCM 32Bit/768kHz
	最高支持 DSD512 (Native) , DoP256
Bluetooth	v5.0
	Transmit Codec: UAT(up to 192kHz)、LDAC(up to 96kHz)、AAC(up to 48kHz)、SBC(up to 48kHz) Receive Codec: UAT(up to 192kHz)、LDAC(up to 96kHz)、AAC(up to 48kHz)、SBC(up to 48kHz)



Master Quality Digital Audio Player
Quick User Guide



Thank you for choosing Cayin N8ii master quality digital audio player. Please read through this User Guide before you start to use the player and it will help you understand the basic operations of the player.

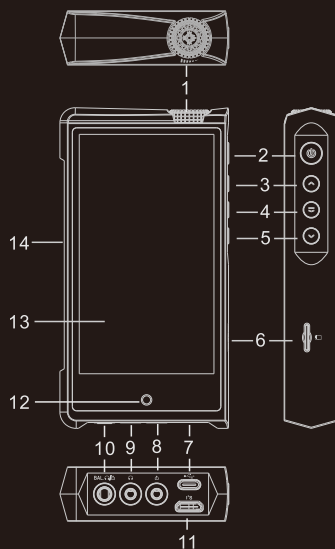
● Packaging and Accessories -----

Cayin N8ii Master Quality Digital Audio Player comes with the following accessories in the package. Please check carefully and make sure everything is in place.

- Cayin N8ii Master Quality Digital Audio Player x 1
- User Guide x 1
- Tempered Glass Protective Screen x 1
- Hi-Res Audio label x 2
- Protective Case x 1
- USB-C Cable x 1
- 4.4mm to 2.5mm adapter x 1
- 3.5mm to 2.5mm adapter x 1

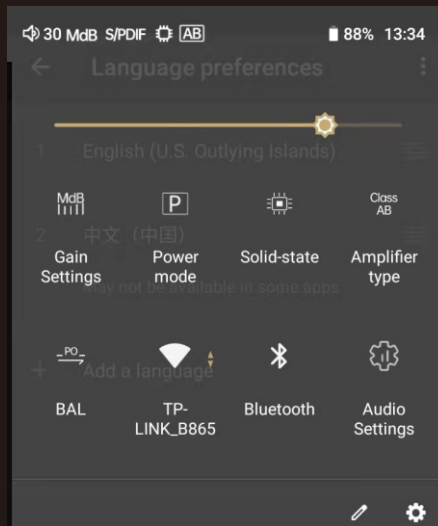
● Buttons and Control -----

1. Volume Knob
2. Power on/off and Screen on/off Button
3. Previous/Rewind Button
4. Play/Pause Button
5. Next/Fast Forward Button
6. Micro-SD(TF) Card Slot
7. Multi-functional USB-C Port (USB Storage, USB Audio, S/PDIF)
8. 3.5mm Single-ended Line Out Connector
9. 3.5mm Single-ended Headphone Out Connector
10. 4.4mm Balanced Headphone Out/Line Out Connector
11. I²S Digital output via Mini HDMI
12. Return/Home/Charging Indicator
13. Touch Screen
14. Vacuum Tube Indicator



● Menu and Settings -----

The Pull down menu of N8ii adopts a phase-in design like other Android device. Drag your finger from the top (preferably at the middle) of your screen downward to show the Notification Center, and then drag down again to display the Quick Settings Menu. Click at the gear icon at the bottom of the menu, you'll enter System Settings Menu. Other than the regular Android features, the Quick Settings Menu provides the following options:



1. Gain Settings: Choice of Low (LdB), Mid (McB) and High (HdB). Gain setting in amplification circuit. The sound level and output level will be changed when you toggle the gain switch even with volume remain unchanged.
2. Power Mode: Choice of Standard Power Output (P) and High Power Output (P+).

Note: The Rated Power Output and Gain at P+ Mode are higher than P Mode. The power consumption at such mode will also be higher and battery duration will be shorter. Please select the mode according to your preference.

High Power Output (P+) is not available in Class A Operation Mode.

3. Solid-State/Tube Timbre Switch: Choice of Solid-State and Tube timbre. You can choose the timbre according to your preference.

4. Amplifier Modes: Choice of Class A and Class AB.

Note: Static Current of the amplifier circuit at Class A mode is higher than Class AB.

Once changed there is a change on the timbre too. However the Power Consumption at Class A mode will also be higher and Battery Duration will be shorter. Please select the mode according to your preference.

5. Audio Settings:

Audio settings such as Digital Filter Setting, DSD Filter, Digital Output, Line Out Setting, Gain, DSD Compensation, Channel Balance and Max Volume.

Note: All these settings will be applied to all music apps in N8ii. After you started up the Cayin Music App, you can click the rudder icon or swipe from left (preferably at the middle) of the screen to right to display the Application Menu. This will offer options such as Music scanning, Equalizer, Cover and Lyrics Settings etc.

You can call out the Recent Apps list by swipe from bottom (preferably at the middle) of the screen to the middle. You can review or switch to other active applications. To terminate an active application, you can either click the cross sign at each task window or swipe up (out of the main display area). If you scroll to the left end of the list, the system will offer a "Clear All" options and you terminate all active application in one move.

● Basic Operation -----

1. Power on/off and Screen on/off.

Press Power On/Off Button for 3 seconds to turn on N8ii. When screen is on, short press the Power Button will turn off the display. Press the Power Button again to turn on the display. When the player is on, press and hold Power Button for 3 seconds the player will pop up a confirmation interface and you can choose to Power Off, Restart or take a screenshot. If you need to force the player to Power Off please press the Power Button and Previous Button simultaneously for 15 seconds and then the player will be powered off in regardless of operation status.

2. File Management

You can connect the player to a computer via the provided USB-C cable. When connected,

the player will pop up a USB status system message. Tap on the message and select “Transfer file”, you can now copy, paste and delete files to the internal storage or TF card mounted in the card slot. The TF card slot supports SDHC and SHXC types TF cards and tested to be compatible with 512GB TF cards.

3. Connecting Headphones

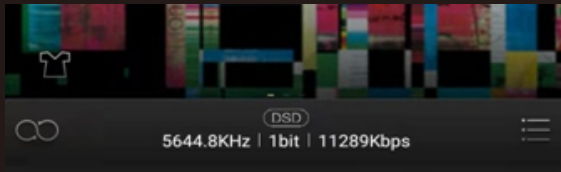
The player supports 4.4mm balanced headphone and 3.5mm single-ended headphone. You can connect your headphone to designated phone out sockets on the bottom of the player and enjoy music immediately. If you are using balanced headphone with a 2.5mm TRRS connector, we have provided a 4.4mm to 2.5mm adapter and a 3.5 to 2.5mm adapter for that purpose.

4. Music Playback (Cayin Music App)

Cayin Music App is a music player app preinstalled with the N8ii firmware. It plays all popular music file format and is fine tuned and optimised to work with the circuit design and hardware capability of N8ii. We strongly recommend all N8ii users to check out the Cayin Music App.

(1) When you are at the default screen of Cayin Music App, select Folder Tab and then choose the preferential storage location: Internal Storage, microSD card or OTG. You can now browse through folder tree and, when you find the music file you are looking for, press it and N8ii will start the playback of the file. Or you can select “Scan for Music Files” from the Application menu, when N8ii finishes the scanning process, you can now browse through the music content by Album, Artist, Genre or Song and select the music files you want to play.

(2) When N8ii starts a playback, the track information and playback status will be displayed at Now Playing Bar at the bottom, press the Now Playing Bar, the player will display the Music Playback screen. You can play/pause, skip tracks, change playback mode and review play queue by pressing at the appropriate icon. In addition, you can swipe at the Album Art to review lyric and music information, drag and drop the progress bar to fast forward or rewind, or press the T-shirt icon on the bottom left corner of album art to change playback theme.



5. Volume Adjustment

Rotate Volume Knob to adjust the output volume level. Turn clockwise to increase or counter-clockwise to decrease the volume output. N8ii will display the Volume Control Screen during volume adjustment, user can slide up and down on the screen to adjust volume quickly, or press the + and - icon to fine tune volume setting.

6. Play/Pause

Click the Play/Pause button to play or pause the playback.

7. Skip Tracks

Press the Previous/Rewind button to switch to previous track, and press the Next/Fast Forward button to skip to next track. Hold the Previous/Rewind button to rewind from current playback, and release the button to resume playback at designated location. Hold the Next/Fast Forward button to fast forward from current playback, and release the button to resume playback at designated location.

8. Return/Home Button

Press the circular Return/Home button at any screen will bring you back one level, or hold the button to go back to the Home screen directly.

9. Multi-color smart glowing LED

Yellow	44.1kHz - 48kHz
Green	88.2kHz - 96kHz
Blue	176.4kHz - 192kHz
Violet	352.8kHz - 384kHz
Cyan	352.8-384 kHz
White	DSD

Charging indicator:

Red: Breathing light when charging. Lighted up continuously when charging is completed.

Note:

- You can enable or disable the Smart LED at the System Settings menu. If you playback music during charging, the Smart LED will be function as charging indicator only.

• **Connect to other Devices**-----

1. Connect to other devices as a USB DAC

- (1) N8ii can be used as a USB DAC when connected to any device with USB output function (laptop, other DAP etc.). The bundled USB-C cable is applicable for this purpose. When connected, the player will pop up a USB status system message in the drop-down menu. Tab on the message and select "USB DAC in " option, USB DAC function will become effect. N8ii will display USB DAC user interface screen and stop all local playback function.
- (2) N8ii is compatible with desktop or laptop computers and Cayin DAPs. Android device are partially supported (required correctly implemented OTG with Audio support).
- (3) Windows based devices might require an appropriate USB Audio Driver before it will recognize N8ii as a USB DAC. Please download and install suitable USB Audio driver from Cayin's official website (en.cayin.cn).

*The Cayin Audio USB Audio Driver for N8ii is ONLY compatible with Windows 10 or newer system versions.

Mac OS devices and Cayin DAP or Android devices (if supported) do not require any driver to work with N8ii (as a USB DAC).

NOTE:

When connected as a USB DAC, the source device will be feeding audio data and charge N8ii through the USB connection. The USB DAC function might fail if the source device cannot provide sufficient power supply for this purpose.

2. Connect to Digital Audio Devices

N8ii offers three digital output interfaces: S/PDIF, I²S and USB Audio. You can choose your preferential digital output interface.

- (1) USB Audio Output: USB Audio output is available through the USB-C connector. Please use high quality USB OTG cable to connect N8ii to a DAC device with USB Audio input. Typically, a desktop DAC features a USB-B connector for USB Audio input, you'll need a USB-C to USB-B cable for this connection. The cable is readily available in the market and is not supplied in N8ii package. Be reminded that the phone output, line out and S/PDIF and I2S digital output will be suspended when USB Audio output is enabled.
- (2) S/PDIF Digital Output: Cayin has embedded the S/PDIF signal into USB-C connector. This is a proprietary digital audio transmission technology and will require a special USB-C to RCA or USB-C to 3.5mm 75Ω coaxial cable from Cayin (purchased separately) to complete the connection.
- (3) I²S Digital Output: N8ii implements I²S digital output through the Mini HDMI port. Please use high quality HDMI cable (purchased separately) to connect N8ii to outboard DAC with I²S input.

Note:

To enable (2) and (3), you have to set the digital output option from Audio Settings from Pull down menu to SPDIF or I²S accordingly, and disconnect all 3.5mm and 4.4mm connections before the digital audio output is available.

The I²S through mini HDMI Connector is an proprietary implementation. The pin definition was defined in-house and was designed to work with Cayin DAC with I²S input. It is incompatible with standard HDMI audio visual device, and we cannot guarantee compatibility with other DAC with I²S input.

3. Connect to Analogue Audio Devices

N8ii is designed to have a dedicated 3.5mm singled ended Line Output and a 4.4mm balanced Line Output (shared with Headphone Output) . You can connect it to your amplifier with an appropriate analogue audio cable.

If you are using 3.5mm Line Output you can output line out signal to an amplifier by connecting the 3.5mm plug of analogue interconnect to the line out port of this player, and then connect the other end to the line input connectors of an amplifier.

If you are using 4.4 Line Output please set the N8ii Balanced output to LO from the pull down menu first and then use the appropriate analogue cable to connect the N8ii Line Output with Line Input of your Amplifier.

Please be reminded that volume control of this player is not applicable to line out signal.

● **Bluetooth/WiFi**-----

You can connect N8ii to Bluetooth device. The Bluetooth device must be paired with N8ii in advance, please refer to the electronic version User Manual for more details.

You can select the WiFi icon on the Quick Setting menu to connect N8ii to WiFi/internet. N8ii International version has pre-installed Google Play Store, you can install music or streaming applications and enjoy online streaming service after connected to internet.

● **Charging**-----

N8ii supports QC3.0, you can use an appropriate QC ready chargers or standard 5V 2A USB charger. We recommend you to use the supplied USB-C cable to charge the player. A battery charging icon with battery capacity will display on the Screen during charging. The circular charging indicator will flash while charging, and lighted up continuously when charging is completed.

● **Firmware Upgrade**-----

Cayin will release new firmware as needed to improve and optimize the function of N8ii. Please follow the instructions of the firmware released on <http://en.cayin.cn/> to complete the firmware upgrade procedure.

● Specifications-----

Product Highlights			
CPU	Snapdragon 660	OS	Android 9.0
DAC	BD34301EKV×2	Vacuum Tube	KORG Nutube 6P1×2
Display	5 Inches OLED	WiFi	IEEE 802.11 a/b/g/n/ac
Net Weight	442 g ±10g	Dimension	147*77.5*25mm
Battery	3.8V 10000mAh (38Wh)		

Battery and Duration Parameters					
Battery Duration	Testing Condition	WiFi, Bluetooth Disabled, Screen off, 32Ω, Mid Gain, Class AB, Volume 30, Playback various format of music files			
		Vacuum Tube		Solid-State	
		3.5 Single Ended	4.4 Balanced	3.5 Single Ended	4.4 Balanced
	Standard Power Output	10 H	9H	11 H	10H
	High Power Output	9 H	8 H	10 H	9H
Charging	Charging Condition	Standard Charger (5V-2A)		Quick Charge (QC3.0)	
	Charging Time	~7H		~4.5H*	

*QC3.0 from 20% to 80% in ~2H

Headphone Output				
3.5 PO Solid-State	Power Rating	Standard Power Output	16Ω	420mW
			32Ω	240mW
			64Ω	140mW
		High Power Output	16Ω	720mW
			32Ω	480mW
			64Ω	240mW
	Frequency Response	20Hz-20kHz(±0.2dB,Fs=192kHz)		
	THD+N	0.003%(1kHz, 1Vrms,Fs=192kHz;20Hz-20kHz,A-Weighted)		
Dynamic Range	121dB(20Hz-20kHz,A-Weighted)			
S/N Ratio	121dB(20Hz-20kHz,A-Weighted)			
Channel Separation	78dB(1kHz,Fs=44.1kHz)			
Output Impedance	0.6Ω			
4.4 PO Solid-State	Power Rating	Standard Power Output	16Ω	760mW
			32Ω	480mW
			64Ω	300mW
		High Power Output	16Ω	1200mW
			32Ω	750mW
			64Ω	375mW
	Frequency Response	20Hz-20kHz(±0.2dB,Fs=192kHz)		
	THD+N	0.001%(1kHz,1Vrms,Fs=192kHz;20Hz-20kHz,A-Weighted)		
Dynamic Range	125dB(20Hz-20kHz,A-Weighted)			
S/N Ratio	125dB(20Hz-20kHz,A-Weighted)			
Channel Separation	110dB(1kHz,Fs=44.1kHz)			
Output Impedance	1.2Ω			

Headphone Output				
3.5 PO Vacuum Tube	Power Rating	Standard Power Output	16Ω	420mW
			32Ω	240mW
			64Ω	140mW
		High Power Output	16Ω	720mW
			32Ω	480mW
			64Ω	240mW
	Frequency Response	20Hz-20kHz(±0.2dB,Fs=192kHz)		
	THD+N	0.1%(1kHz, 1Vrms,Fs=192kHz;20Hz-20kHz,A-Weighted)		
Dynamic Range	112dB(20Hz-20kHz,A-Weighted)			
S/N Ratio	112dB(20Hz-20kHz,A-Weighted)			
Channel Separation	78dB(1kHz,Fs=44.1kHz)			
Output Impedance	0.6Ω			
4.4 PO Vacuum Tube	Power Rating	Standard Power Output	16Ω	760mW
			32Ω	480mW
			64Ω	300mW
		High Power Output	16Ω	1200mW
			32Ω	750mW
			64Ω	375mW
	Frequency Response	20Hz-20kHz(±0.2dB,Fs=192kHz)		
	THD+N	0.05%(1kHz,1Vrms,Fs=192kHz;20Hz-20kHz,A-Weighted)		
Dynamic Range	120dB(20Hz-20kHz,A-Weighted)			
S/N Ratio	120dB(20Hz-20kHz,A-Weighted)			
Channel Separation	110dB(1kHz,Fs=44.1kHz)			
Output Impedance	1.2Ω			

Line Output		
3.5 LO	Output Level	2.0V(@10kΩ, LO Level = High) 1.5V(@10kΩ, LO Level = Mid) 1.0V(@10kΩ, LO Level = Low)
	Frequency Response	20Hz-20kHz(±0.2dB,Fs=192kHz)
	THD+N	0.001%(1kHz,Fs=192kHz;20Hz-20kHz, A-Weighted)
	Dynamic Range	121dB(20Hz-20kHz,A-Weighted)
	S/N Ratio	123dB(20Hz-20kHz,A-Weighted)
	Channel Separation	100dB(1kHz,Fs=44.1kHz)
4.4 LO	Output Level	4.0V(@47kΩ, LO Level = High) 3.0V(@47kΩ, LO Level = Mid) 2.0V(@47kΩ, LO Level = Low)
	Frequency Response	20Hz-20kHz(±0.2dB,Fs=192kHz)
	THD+N	0.001%(1kHz,Fs=192kHz;20Hz-20kHz, A-Weighted)
	Dynamic Range	125dB(20Hz-20kHz,A-Weighted)
	S/N Ratio	127dB(20Hz-20kHz,A-Weighted)
	Channel Separation	107dB(1kHz,Fs=44.1kHz)

Digital Audio Interface	
I ² S	Connector : Mini HDMI (The DAP transmits I ² S signal with HDMI connector, it is not compatible with standard HDMI device)
	PCM upto 32Bit/768kHz
	DSD upto DSD512
S/PDIF Coaxial	Connector : USB-C (75Ω)
	PCM upto 24Bit/192kHz
	DSD : upto DSD64(DoP)
USB Audio Out	Connector : USB-C
	PCM upto 32Bit/768kHz.
	DSD upto 512
USB Audio In (DAC)	Connector : USB-C, Asynchronous USB Audio Class 2.0
	Support Windows(drivers required),Mac OS,Android(partial)
	PCM upto 32Bit/768kHz
	DSD: upto DSD 512, support Native, Dop256
Bluetooth	v5.0
	Transmit Codec: UAT(up to 192kHz)、LDAC(up to 96kHz)、AAC(up to 48kHz)、SBC(up to 48kHz) Receive Codec:UAT(up to 192kHz)、LDAC(up to 96kHz)、AAC(up to 48kHz)、SBC(up to 48kHz)

Carvin
凯音

マスタークオリティDAP
ユーザーガイド



Cayin N8ii マスタークオリティDAPをご購入いただき、誠にありがとうございます。
本機の基本的な操作方法に関してクイックユーザーガイドをご確認下さい。

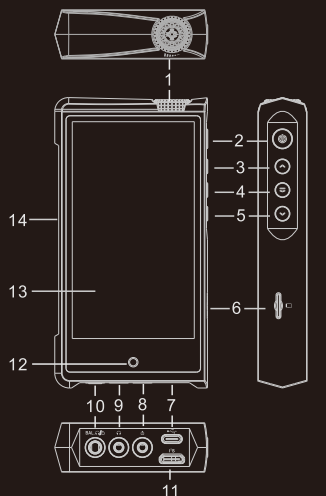
● 内容物 -----

Cayin N8ii DAPには次の内容物が含まれてます。全てのものがパッケージに同梱されているかご確認下さい。万が一、不足物がございましたらお知らせ下さい。

- Cayin N8ii マスタークオリティ DAP x 1
- ユーザーガイド x 1
- 強化ガラス製スクリーンプロテクター x 1
- Hi-Res オーディオタグ x 1
- 専用保護ケース x 1
- Type-C USB ケーブル x 1
- 4.4mm to 2.5mm 変換アダプター x 1
- 3.5mm to 2.5mm 変換アダプター x 1

● ボタン及び操作 -----

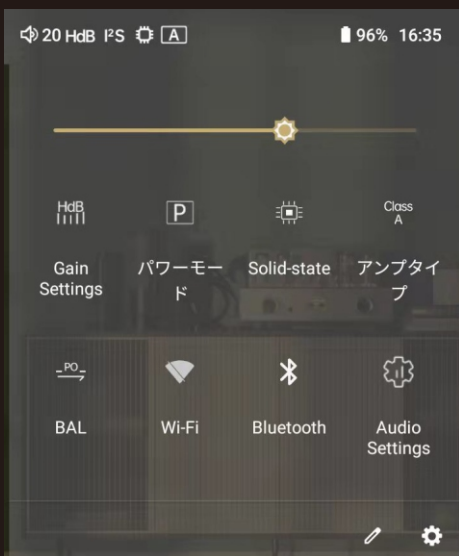
1. ボリュームノブ
2. 電源ボタン (電源 ON/OFF & スクリーン ON/OFF)
3. 前曲/巻き戻しボタン
4. 再生/一時停止ボタン
5. 次曲/早送りボタン
6. Micro-SDカードスロット
7. 多目的USB Type-C ポート (データ転送, USBオーディオ, S/PDIF)
8. 3.5mm シングルエンドラインアウト
9. 3.5mm シングルエンドヘッドホン出力
10. 4.4mm バランスラインアウト / ヘッドホン出力
11. Mini HDMI経由のI²S デジタル出力
12. ホームボタン : 1段階戻る (タップ) / ホーム画面へ (長押し) / 充電インディケーター



13. タッチスクリーン
14. 真空管インディケーター

● メニュー及び設定

N8iiのプルダウンメニューは、他のAndroid機で採用されているようなモダンなデザインが採用されています。スクリーン上部から下方向に指をスライドさせることで通知センターを表示することが出来ます。さらに、そこから再度下方向にスライドさせることで、クイック設定メニューを表示出来ます。メニュー下部にある歯車のアイコンをクリックすると詳細なシステム設定メニューを表示することが出来ます。一般的なAndroidの特徴とは異なり、クイック設定メニューから次の操作が可能です。



1. ゲイン設定：

低 (LdB)、中 (MdB)、高 (HdB) から選択が可能。アンプ回路のゲイン設定を調整することで、サウンドレベル及び出力レベルが変わります。

2. パワーモード：

標準出力 (P) と高出力モード (P+) の選択。

注：P+モードでの定格電力出力とゲインはPモードよりも高くなります。P+モードでは消費電力も高くなりバッテリーをPモードよりも消費します。

P+モードはClass A動作モードでは使用不可

3. 真空管/ソリッドステート設定：

真空管とソリッドステートの2つの音色をお好みでお選びいただけます。

4. アンプモード：

Class AもしくはClass ABの選択が可能。

注：Class Aモードでのアンプ回路の静的電流はClass ABよりも高くなります。変更することで音色の変化をお楽しみいただけます。Class Aモードでは消費電力も高くなりバッテリーをClass ABよりも消費します。お好みに合わせてモードをお選び下さい。

5. オーディオ設定：

デジタルフィルターやDSDフィルター、デジタル出力、ラインアウト設定、ゲイン、DSD補正、LRチャンネルバランス、最大音量の設定に関連するオプションの設定が可能。

注：本メニューにある設定は本機内の全てのアプリケーションに適用されることを前もってご確認下さい。

Cayin Music Appを開始した後は、舵の形をしたアイコンをクリックするか、画面の左から右へと指をスワイプすることでアプリケーションメニューを表示させて下さい。これにより楽曲スキャン、EQ、アルバムアートワークの表示について設定することが出来ます。

画面の下部から中央辺りまで指をスワイプし、指を離すことで最近使用したAppの一覧を表示することが出来ます。他のアクティブなアプリケーションにスイッチすることが出来ます。アクティブなアプリケーションを終了するには、X印を押すか、ウィンドウを上へスワイプしてメインディスプレイの上部に押し出して下さい。

アプリケーションリストを左端までスクロールすると「すべてクリア」の操作を選択することが出来ます。これにより一つの操作ですべてのアクティブなアプリケーションを終了することが出来ます。

● 基本的な操作方法-----

1. 電源ボタン（電源 ON/OFF & スクリーン ON/OFF）

電源ボタンを約3秒間長押しして本機の電源をONにします。

電源ONの状態かつスクリーンがONの時に電源ボタンを押すとスクリーンがOFFになります。その状態で電源ボタンをもう一度押すとスクリーンがONにな

ります。電源ONの状態では電源ボタンを約3秒間長押しするとスクリーンに「電源を切る」「再起動」「スクリーンショット」の選択画面が表示されます。本機の電源を強制的にOFFにする必要がある場合は、電源ボタンと「前曲/巻き戻しボタン」を同時に約15秒長押しすることで、操作ステータスに関係なく本機の電源がOFFになります。

2. ファイル・マネージメント

付属のUSB-Cケーブルを使用して本機とコンピューターを接続することが出来ます。接続時にUSBステータスを示すメッセージがポップアップ表示されます。“Transfer file”を選択することで、本機の内蔵ストレージや本機にマウントされているSDカード内へのファイルのコピー、ペースト、またファイルの削除の操作が可能になります。本機ではSDHC、SHXCタイプのSDカードに対応しており、最大で512GBのSDカードの対応をテストにて確認しています。

3. ヘッドホンの接続

本機では4.4mmバランスヘッドホンや3.5mmシングルエンドヘッドホンに対応しています。本機下部にある入力ポートに対応するお好みのヘッドホンを接続し、即座に音楽をお楽しみいただくことが出来ます。2.5mm TRRSコネクタを使用するヘッドホンを使用する場合は、付属の4.4mm to 2.5mm変換アダプターもしくは3.5mm to 2.5mm変換アダプターを適宜ご使用下さい。

4. 音楽ファイルの再生 (Cayin Music App)

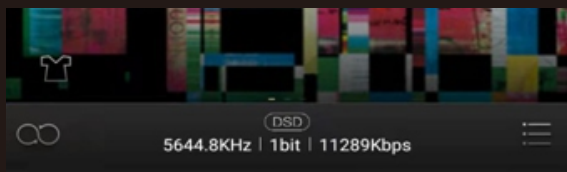
Cayin Music AppはN8iiのファームウェアによって最初からインストールされている音楽再生プレーヤーです。主要な楽曲フォーマットに対応しており、本機の回路設計やハードウェアの性能を最大限活かすための最適化がされています。そのため、N8iiユーザーの皆様にはCayin Music Appのご使用を強くお勧め致します。

(1) Cayin Music Appのホーム画面を表示して、フォルダタブを選択しストレージの場所を選ぶことが出来ます：内蔵ストレージ、micro Sd、あるいはOTGです。フォルダのツリー構造を通して、楽曲ファイルをブラウズすることが出来、再生したいファイルを見つけた後はファイルをクリックすることで楽曲を再生出来ます。

または、アプリケーションメニューから「楽曲をスキャン」を選択して本機に楽曲ファイルを読み込むことで、アルバム、歌手、ジャンル、または曲名ごとに音楽コンテンツを表示して、再生する楽曲を選択することが出来ます。

(2) 本機が再生を開始すると、トラック情報再生ステータスが下部の「再生中」バーに表示されます。「再生中」バーをタップすると、スクリーンに音楽再生中画面が表示されます。この画面で再生/一時停止、曲送り、再生モードの変更、再生キューの確認を行うことができます。

さらにアルバムアートワークを右側から左側にスワイプして歌詞や楽曲情報の確認、シークバーをドラッグアンドドロップして早送りや巻き戻し、アルバムアートワークの左下にあるTシャツアイコンをタップして再生テーマを変更することができます。



5. ボリュームの調整

ボリュームノブを時計回りに回すことで音量のアップ、反時計回りに回すことで音量のダウンの操作ができます。その際にスクリーン上にボリュームコントロールが表示され、画面上でアップ・ダウンの操作や+あるいは-のアイコンを操作することでも音量調節が可能です。

6. 再生/一時停止

再生/一時停止ボタンをクリックすることで楽曲の再生/一時停止の操作が出来ます。

7. 曲送り

前曲/巻き戻しボタンをクリックすることで前の曲へ移動します。また次曲/早送りボタンをクリックすると次の曲に移動します。

前曲/巻き戻しボタンを長押しすることで再生中の曲から巻き戻しを開始し、ボタンを離すことで、ボタンを離した箇所から再生を開始します。

次曲/早送りボタンを長押しすることで再生中の曲から早送りを開始し、ボタンを離すことで、ボタンを離した箇所から再生を開始します。

8. ホームボタン

円形上のホームボタンをクリックすると1段階画面表示が戻ります。また、ホームボタンを長押しすることで、ホーム画面が表示されます。

9. マルチカラー・スマートLED

イエロー	44.1kHz - 48kHz
グリーン	88.2kHz - 96kHz
ブルー	176.4kHz - 192kHz
バイオレット	352.8kHz - 384kHz
シアン	352.8-384 kHz
ホワイト	DSD

充電インディケータ

充電中に赤く点滅：充電が完了すると点灯に変わります。

注：システム設定よりLED表示のON/OFFが選択できます。充電中に再生する場合、LEDは充電用の表示のみとなります。

● 他の機器との接続-----

1. USB-DACとしてプレーヤーと接続する

(1) N8iiは、USB出力を持つ外部機器と接続する際にUSB DACとして使用することが出来ます。付属のUSB Type-C to Type-Aケーブルを適宜ご使用下さい。接続されると、プレーヤーにはUSBのステータスを表示するポップアップメッセージが表示されます。メッセージを選択して、「USB DAC入力」を選択してUSB DAC機能を有効にすると、本機は、USB DACとしてのユーザーインターフェイスを画面上に表示し、本機からのローカル再生機能を停止します。

(2) 本機はデスクトップまたはラップトップコンピューターやCayin DAPのような外部プレーヤーをサポートしています。Androidデバイスは一部サポートしています（オーディオ機能をサポートするOTGが必要となります）。

(3) Windowsベースの機器については、本機をUSB DACとして使用する前に、適切なUSBオーディオドライバがインストールされている必要があります。Cayinのホームページより適切なUSBオーディオドライバをダウンロードしてインストールをして下さい。

* N8ii用のCayin Audio USB Audio Driverは、Windows10以降のOSをサポートしています。

Mac OSやCayin DAPあるいは対応するAndroidデバイス（サポートされている場合）は、本機をUSB DACとして使用するためにドライバをインストールする必要はありません。

注：USB DACとして接続する際は、外部USB ドライバーからUSB信号を伝送し、本機を充電します。ソースとなる機器から十分な電力供給がされない場合にはUSB DAC機能が正しく機能しない場合があります。

2. デジタルオーディオ機器への接続

本機は、3つのデジタル出力を提供します。S/PDIF、I²S、そしてUSBオーディオです。用途に応じて適宜必要なデジタル出力を選択して下さい。

(1) USBオーディオ出力：USBオーディオ出力は、USB Type-Cコネクタを利用することで使用可能です。高品質USB OTGケーブルを本機に接続し、外部DACのUSBオーディオ入力と接続して下さい。一般的なデスクトップDACはUSB Type-Bをオーディオ入力として使用するため、Type-C to Type-Bケーブルが必要になる場合があります。Type-C to Type-Bケーブルは本機のパッケージには付属されていませんが、比較的簡単に汎用品を購入することが出来るものです。

また、フォーンアウト、ラインアウト、S/PDIF、そしてI²Sデジタル出力はUSBオーディオ出力が機能しているときは中断されます。

(2) S/PDIFデジタル出力：CayinはS/PDIF信号をUSB Type-Cコネクタに組み込んでいます。これは特別なデジタル・オーディオの伝送技術で、接続にはUSB Type-C to RCAまたはUSB Type-C to 3.5mm 75Ω同軸ケーブル（別売）を使用することが必要です。

(3) I²Sデジタル出力：本機はHDMI Type-C (Mini HDMI) ポートを通してI²Sデジタル出力が出来るようにデザインされています。高品質のHDMIケーブル（別売）を使用して、本機と外部DACのI²S入力に接続して下さい。

注：(2)と(3)を有効にするには、「プルダウン」メニューの「Audio Settings」内「デジタル出力」からご使用になるデジタル出力を**SPDIF**もしくは**I²S**を選択します。デジタルオーディオ出力のご使用前にすべての**3.5mm**および**4.4mm**接続を取り外して下さい。

mini HDMI Type-Cコネクタを利用した**I²Sコネクタ**はCayin独自のものとなります。ピン配列はCayin専用設計となり、**I²Sデジタル入力**を持つCayin DACで動作するよう専用に設計されたものです。これは一般的なHDMIオーディオ・ビジュアルデバイスには対応していません。そしてCayin社以外のDACの**I²Sデジタル入力**に対しては動作保証対象外となります。

3. アナログオーディオ機器への接続

本機はシングルエンドとバランス・ラインアウト（ヘッドフォン出力と有）をそれぞれ一つずつ標準装備しております。外部アンプを本機のラインアウトの接続出来ます。

ポータブルアンプのシングルエンド入力と本機を接続する時は3.5mm to 3.5mmケーブルが必要です。一方の3.5mmプラグを本機のラインアウトに接続し、もう一方の3.5mmプラグをご使用の3.5mmシングルエンド入力に接続して下さい。

4.4mmバランス・ラインアウトをご使用の際は、本機のプルダウンメニューの「PO (Phone out)」「LO (Line out)」の切り替えが必要です。

本機の音量調節は、ラインアウト信号には適用されません。

● Bluetooth / WiFi-----

本機をBluetoothデバイスに接続してワイヤレスで音楽をお楽しみいただけます。事前に本機とBluetoothデバイスとをペアリングする必要があります。ワイヤレス接続に関するバージョン等の詳細な情報に関しましては、下記仕様部分をご参照ください。

クイック設定メニューからWiFiアイコンを選んで、本機をWiFiに接続することが可能です。インターナショナル版のN8iiiには、Google Playがインストールされているので、楽曲のインストールやストリーミングAppなどを利用してオンライン/オフラインで音楽をより多様な形で楽しみいただけます。

● 充電-----

本機はQC3.0に対応しており、QC対応充電器あるいは標準的な5V/2AのUSB充電器を使用することが出来ます。付属のUSB Type-Cケーブルを使用することをお薦め致します。充電中は、バッテリー容量とともに充電中のアイコンが画面に表示されます。画面下部のホームボタン部分の円形状インディケータのLEDが充電中のインディケータとして機能します。充電中は点滅、充電が完了すると点灯に変わります。

● ファームウェア・アップデート-----

Cayinは、本機の機能を改善、最適化するために必要に応じて新しいファームウェアをリリースします。下記リンク先よりファームウェア・アップデートを行って下さい。

<http://en.cayin.cn/>

● 製品仕様

製品仕様			
CPU	Snapdragon 660	OS	Android 9.0
DAC	BD34301EKV×2	真空管	KORG Nutube 6P1×2
ディスプレイ	5 Inches OLED	WiFi	IEEE 802.11 a/b/g/n/ac
重量	442 g ±10g	サイズ	147*77.5*25mm
Battery	3.8V 10000mAh (38Wh)		

バッテリー及び再生時間					
再生時間	テスト環境	WiFi及びBluetoothをOFF,ディスプレイもoff,ゲイン中(MdB), Class AB, 32Ω, ボリューム30,様々なフォーマットの音楽ファイルを連続再生			
	標準出力 (P)	真空管		ソリッドステート	
		3.5mmシングルエンド接続	4.4mmバランス接続	3.5mmシングルエンド接続	4.4mmバランス接続
		10 H	9H	11 H	10H
	高出力モード (P+)	9 H	8 H	10 H	9H
充電時間	充電環境	標準的な充電器 (5V/2A)		クイックチャージ (QC3.0)	
	充電	~7H		~4.5H*	

*QC3.0 from 20% to 80% in ~2H

ヘッドホン出力				
3.5 PO ソリッド ステート	出力	標準出力 (P)	16Ω	420mW
			32Ω	240mW
			64Ω	140mW
		高出力モード (P+)	16Ω	720mW
			32Ω	480mW
			64Ω	240mW
	再生周波数帯域	20Hz-20kHz(±0.2dB, Fs=192kHz)		
	THD+N	0.003%(1kHz, 1Vrms, Fs=192kHz; 20Hz-20kHz, A-Weighted)		
ダイナミックレンジ	121dB(20Hz-20kHz, A-Weighted)			
S/N比	121dB(20Hz-20kHz, A-Weighted)			
チャンネルセパレーション	78dB(1kHz, Fs=44.1kHz)			
出力インピーダンス	0.6Ω			
4.4 PO ソリッド ステート	出力	標準出力 (P)	16Ω	760mW
			32Ω	480mW
			64Ω	300mW
		高出力モード (P+)	16Ω	1200mW
			32Ω	750mW
			64Ω	375mW
	再生周波数帯域	20Hz-20kHz(±0.2dB, Fs=192kHz)		
	THD+N	0.001%(1kHz, 1Vrms, Fs=192kHz; 20Hz-20kHz, A-Weighted)		
ダイナミックレンジ	125dB(20Hz-20kHz, A-Weighted)			
S/N比	125dB(20Hz-20kHz, A-Weighted)			
チャンネルセパレーション	110dB(1kHz, Fs=44.1kHz)			
出力インピーダンス	1.2Ω			

ヘッドホン出力				
3.5 PO 真空管	出力	標準出力 (P)	16Ω	420mW
			32Ω	240mW
			64Ω	140mW
		高出力モード (P+)	16Ω	720mW
			32Ω	480mW
			64Ω	240mW
	再生周波数帯域	20Hz-20kHz(±0.2dB, Fs=192kHz)		
	THD+N	0.1%(1kHz, 1Vrms, Fs=192kHz; 20Hz-20kHz, A-Weighted)		
	ダイナミックレンジ	112dB(20Hz-20kHz, A-Weighted)		
	S/N比	112dB(20Hz-20kHz, A-Weighted)		
チャンネルセパレーション	78dB(1kHz, Fs=44.1kHz)			
出力インピーダンス	0.6Ω			
4.4 PO 真空管	出力	標準出力 (P)	16Ω	760mW
			32Ω	480mW
			64Ω	300mW
		高出力モード (P+)	16Ω	1200mW
			32Ω	750mW
			64Ω	375mW
	再生周波数帯域	20Hz-20kHz(±0.2dB, Fs=192kHz)		
	THD+N	0.05%(1kHz, 1Vrms, Fs=192kHz; 20Hz-20kHz, A-Weighted)		
	ダイナミックレンジ	120dB(20Hz-20kHz, A-Weighted)		
	S/N比	120dB(20Hz-20kHz, A-Weighted)		
チャンネルセパレーション	110dB(1kHz, Fs=44.1kHz)			
出力インピーダンス	1.2Ω			

ラインアウト

3.5 LO	出力レベル	2.0V(@10kΩ, LO Level = High) 1.5V(@10kΩ, LO Level = Mid) 1.0V(@10kΩ, LO Level = Low)
	再生周波数帯域	20Hz-20kHz(±0.2dB, Fs=192kHz)
	THD+N	0.001%(1kHz, Fs=192kHz; 20Hz-20kHz, A-Weighted)
	ダイナミックレンジ	121dB(20Hz-20kHz, A-Weighted)
	S/N比	123dB(20Hz-20kHz, A-Weighted)
	チャンネルセパレーション	100dB(1kHz, Fs=44.1kHz)
4.4 LO	出力レベル	4.0V(@47kΩ, LO Level = High) 3.0V(@47kΩ, LO Level = Mid) 2.0V(@47kΩ, LO Level = Low)
	再生周波数帯域	20Hz-20kHz(±0.2dB, Fs=192kHz)
	THD+N	0.001%(1kHz, Fs=192kHz; 20Hz-20kHz, A-Weighted)
	ダイナミックレンジ	125dB(20Hz-20kHz, A-Weighted)
	S/N比	127dB(20Hz-20kHz, A-Weighted)
	チャンネルセパレーション	107dB(1kHz, Fs=44.1kHz)

デジタル・インターフェース

I ² S	Connector : Mini HDMI (HDMI コネクターを使用してI ² Sシグナルを送信します。標準的なHDMI機器には対応致しません)
	PCM upto 32Bit/768kHz
	DSD upto DSD512
S/PDIF同軸	Connector : USB-C (75Ω)
	PCM upto 24Bit/192kHz
	DSD : upto DSD64(DoP)
USB Audio出力	Connector : USB-C
	PCM upto 32Bit/768kHz.
	DSD upto 512
USBオーディオイン (DAC)	Connector : USB-C, Asynchronous USB Audio Class 2.0
	Support Windows(drivers required),Mac OS,Android(partial)
	PCM upto 32Bit/768kHz
	DSD: upto DSD 512, support Native, Dop256
Bluetooth	v5.0
	Transmit Codec: UAT(up to 192kHz)、LDAC(up to 96kHz)、AAC(up to 48kHz)、SBC(up to 48kHz) Receive Codec:UAT (up to 192kHz)、LDAC(up to 96kHz)、AAC(up to 48kHz)、SBC(up to 48kHz)

欢迎扫描二维码访问：



官网



微信号



新浪微博



Facebook

珠海斯巴克电子设备有限公司

www.cayin.cn

电话：0756-3828711 传真：0756-3828722 E-mail：market@cayin.cn

地址：广东省珠海市联港工业区联发路9号

邮编：519045

重要说明： 为珠海斯巴克电子设备有限公司注册商标！购买是请认清此标志，提防假冒！

V1.0_20220214