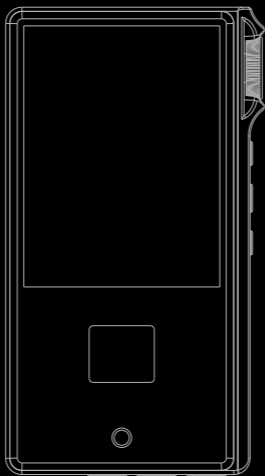


*Lojin*

## N3Pro便携式无损音乐播放器

操作指南



感谢您购买 Cayin N3Pro 便携式无损音乐播放器。使用本机前，请通读本操作指南，并请妥善保存以便随时查阅参考。

#### ● 产品特点

Cayin N3Pro 是一款高性能的便携式无损音乐播放器，具有以下技术特点：

- 1、3.5mm PO 模式支持电子管和晶体管音色；
- 2、支持 4.4mm 平衡和 3.5mm 单端耳机输出；
- 3、支持 4.4mm 平衡和 3.5mm 单端线路输出；
- 4、支持 USB Audio、S/PDIF 数字输出；
- 5、支持 USB DAC 功能；
- 6、支持多种蓝牙无线音频传输协议；
- 7、WiFi 无线连接支持 OTA 在线固件升级及 Wi-Fi 传歌功能；
- 8、支持多种音乐格式，本地播放 PCM 最高支持到 32Bit/384kHz，DSD 最高支持到 DSD256，支持 SACD-ISO 文件（不支持 DST 封装）；
- 9、支持 TF 卡和 USB OTG 扩展储存。

#### ● 包装清单

N3Pro 主机一台；

本操作指南一本（后附保修卡）；

Hi-Res 标贴两张；

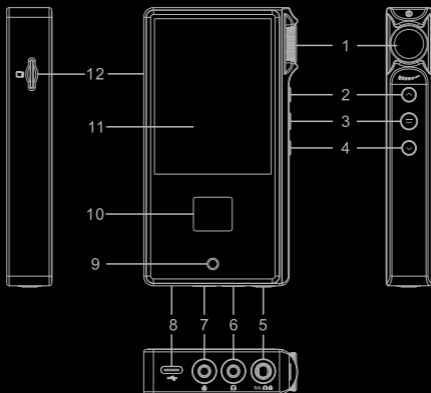
清水套一个；

显示屏保护膜一张；

Type-C USB 数据线一条（用于连接电脑管理 TF 卡音乐文件或使用本机 USB 解码功能充电）；

请核对包装物品，若发现物品不齐，请与销售商联系。

## 部件名称



1. 多功能旋钮（音量旋钮+电源/息屏/亮屏键）
2. 上一曲/快退按键
3. 播放/暂停/停止按键
4. 下一曲/快进按键
5. 4.4mm 平衡耳机/线路输出
6. 3.5mm 单端耳机输出
7. 3.5mm 单端线路输出
8. USB 多功能接口（Type-C USB）
9. HOME/返回
10. 电子管
11. 触摸显示屏
12. TF 卡插口

- 基本操作

- 1、使用多功能旋钮：

通过多功能旋钮，可实现开机、关机、息屏（锁键）、亮屏（解锁）及音量控制功能。

- ◆ 开机：关机状态下，沿多功能旋钮轴向按压旋钮1秒钟，开机，显示屏点亮，显示开机画面，进入主界面。
- ◆ 关机：开机状态下，沿多功能旋钮轴向按压旋钮 2 秒，显示屏弹出关机确认界面，按确认关机。
- ◆ 强制关机并重启：开机状态下，沿多功能旋钮轴向按压旋钮 6 秒，强制关机并重启。
- ◆ 息屏（锁键）：亮屏状态下，沿多功能旋钮轴向按一下旋钮，息屏，相关按键功能被锁定。
- ◆ 亮屏（解锁）：关屏状态下，沿多功能旋钮轴向按一下旋钮，亮屏，相关按键被解除锁定。
- ◆ 调节音量：旋转多功能旋钮，可控制本机输出音量；PO调节音量时会弹出音量界面，可在音量界面上下滑动屏幕调节音量。

- 2、使用上一曲/快退按键

- ◆ 切歌播放：在播放状态下，短按“上一曲按键”，可播放上一首。也可点击播放界面的上一曲按钮实现切歌播放。
- ◆ 快退：在播放状态下，长按“上一曲按键”，可以快退播放。也可点击或滑动播放界面的进度条实现快进或快退播放。

- 3、使用 播放/暂停/停止按键

- ◆ 播放/暂停：播放状态下，按下“播放/暂停按键”，可暂停；再短按一下，可继续播放。也可点击播放界面的播放/暂停按钮实现暂停或继续播放。
- ◆ 停止：播放或暂停状态下，按压停止键2秒以上，可停止音乐播放并返回主界面。



#### 4、使用下一曲/快进按键

- ◆ 切歌播放：在播放状态下，按下“下一曲按键”，可播放下一首。也可点击播放界面的下一曲按钮实现切歌播放。
- ◆ 快进：在播放状态下，长按“下一曲按键”，可以快退播放。也可点击或滑动播放界面的进度条实现快进或快退播放。

#### 5、使用 HOME/返回

- ◆ 返回播放界面：播放中短按 HOME/返回，直接跳转至播放界面。
- ◆ 返回主界面：在任何界面长按 HOME/返回，直接返回至主界面

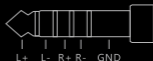
#### 6、选曲播放

- (1) 在主界面点击“文件夹”，点击“TF卡”或“OTG”浏览音乐文件并直接播放，也可点击“扫描音乐”等待完成扫描并更新音乐库，然后根据您的喜好在主界面点击“列表分类”、“全部音乐”、“艺术家”、“专辑”或“风格”等分类列表界面选择音乐文件播放。
- (2) 在播放界面，点击相关图标，可以进行向上或向下切换音乐、播放/暂停及设置播放模式、查看音乐信息等操作。点击、滑动进度条可以快进和快退。

#### 7、使用输出接口

耳机输出：本机配备 1 个 3.5mm 单端耳机接口和 1 个 4.4mm 平衡耳机接口，用于直接驱动耳机，请根据耳机类型选择使用合适的耳机接口。

请勿将 4.4mm 平衡接口的 L+、L-、R+、R- 任何信号之间直接短接，也不要让它们跟地线短路。



切勿试图使用“4.4mm平衡公头转3.5mm单端母座”连接单端插头的耳机，否则会损害本机电路

线路输出：本机配备 1 个 3.5mm 单端线路接口和 1 个 4.4mm 平衡线路接口（跟 4.4mm 耳机接口共用），用于连接外部放大器使用，请根据放大器接口或信号线类型选择使用合适的线路接口。

- ◆ 要使用4.4mm平衡线路输出，需通过下拉菜单将平衡输出状态设定为线路输出（LO）。
- ◆ 线路输出状态下，本机调节音量无效。

数字音频输出：

本机具有 S/PDIF、USB Audio 等数字音频输出方式，您可根据需要选择使用。

(1) S/PDIF 数字音频输出：

本机S/PDIF 数字音频信号是通过 Type-C USB 接口输出的，可选购专用的数字音频信号线连接外部解码器。

注意：

- ◆ 需将 3.5mm 和 4.4mm 插座上的插头全部拔出，才能使用 S/PDIF 输出功能。

(2) USB Audio 输出：

本机 USB Audio 信号是通过 Type-C USB 接口输出的，请使用高质量 USB OTG 信号线连接具有USB Audio 接收功能的外部解码器。

注意：

- ◆ 通过 USB 数据线跟外部解码器连接后，本机的 3.5mm、4.4mm 接口的模拟音频信号会被关闭。

8、音色选择：

通过下拉设置界面，您可以选择“晶体管”和“电子管”音色。其中电子管音色电路具有“TR三极管”和“UL超线性”接法可选择，不同接法的电子管音色也不一样。



#### 9、USB DAC解码器功能：

本机可作为 USB 解码器使用，可使用随本机附送的 USB 数据线连接外部播放器。

注意：

- ◆ 使用 USB DAC 解码功能，需在本机下拉设置界面将USB模式选择为“DAC”。
- ◆ 通过 USB 数据线连接播放器后，本机显示DAC界面，并强制终止本地播放进程；
- ◆ 支持播放器操作系统：Windows、Mac OS 和 Android（仅支持部分品牌型号），Cayin 系列无损音乐播放器也可作为本机的外部播放器使用。
- ◆ 外接播放器可能是电脑媒体播放器，平板电脑，智能手机等，需要根据外接播放器的接口形态选配适用的 USB 数据线或转接线。

提醒：

- ◆ 本机作为 USB 解码器使用时，外部播放器的 USB 接口会对本机进行充电，请确认外部播放器是否能满足这种使用场景；
- ◆ Windows 系统需安装 Cayin USB Audio 驱动程序，才能使用本机的 USB 解码功能，请浏览Cayin官网（[www.cayin.cn](http://www.cayin.cn)）下载并安装最新版驱动程序。

#### 10、连接电脑管理文件：

在下拉设置界面将USB 模式选择为“USB”模式，将 USB 数据线一端插入本机的 USB 接口，一端插入电脑的 USB 口，如果是初次接驳，电脑应在两分钟内完成检测并弹出视窗提醒可操作的选项。这时应在电脑显示屏上显示 N3Pro TF 卡的目录，便可通过电脑浏览、管理本机的音乐文件。

#### 11、对本机充电：

请使用随本机附送的 USB 数据线对本机充电，充电时本机会显示电池充电图标及电量，红色指示灯闪烁表示正在充电中，红色指示灯常亮表示电池已被充满电。

注意：

- ◆ 本机不配充电器，请使用跟本机兼容的优质充电器；
- ◆ 充电中机器内部及机壳温度会升高，请将本机放置于开敞、通风的环境中进行充电，充电中请勿使用其它物品覆盖本机；

- ◆ 请在室温条件下为本机电池充电，温度过高或者过低都可能影响锂电池性能并可能会产生故障；
- ◆ 使用电脑 USB 端口对本机充电，本机将会自动停止音乐播放；
- ◆ 充电中请勿使用本机。

## 12、状态指示灯：

### 格式灯：

- 桔红色：有损格式
- 黄色：44.1/48 kHz
- 酸橙绿色：88.2/96 kHz
- 品蓝色：176.4/192 kHz
- 紫罗兰色：352.8/384/  
705.6/768 kHz
- 白色：DSD

### 充电指示：

- 红色：充电中为呼吸式闪烁，充满为常亮。

备注：用户可在系统设置中选择“打开”或“关闭”指示灯。若边充电边播放，则只有充电灯工作，指示灯关闭。

## 13、使用 TF卡槽扩充存储容量：

最高支持 1TB 容量的 Micro SD卡（TF卡）。

## 14、使用 USB 接口扩充存储容量：

本机 Type-C USB 接口可插入U盘、读卡器等储存设备。

### ● Wi-Fi和蓝牙

- ◆ Wi-Fi 连接：从显示屏底部向上滑动屏幕，点击、展开“系统设置”选项，打开 Wi-Fi 功能。
- ◆ 注意：本机Wi-Fi功能主要用于OTA在线升级固件和Wi-Fi传歌，平时听音乐请关闭Wi-Fi，可以获得更干净的声音背景。



- ◆ 蓝牙连接：在“系统设置”界面可以打开或关闭蓝牙功能。在蓝牙打开状态下，可以打开HiBy Link蓝牙遥控功能和选择蓝牙音质。  
注意：如果不使用蓝牙功能，请关闭蓝牙，否则会增加功耗，降低续航时间。

- 固件升级

Cayin 会按需要发布新固件来改善及优化 N3Pro 的功能，请按官网 [www.cayin.cn](http://www.cayin.cn) 发布固件的说明完成固件升级。

- 安全提示

1. 请勿在过热、过冷、多尘或潮湿等极端环境中使用本机。
2. 请勿将本机置于强磁场及强电场环境中使用。
3. 请勿在雷雨天气使用本机。
4. 谨防产品摔落或跟其它坚硬物品碰撞、挤压。
5. 不要使用化学剂或清洁剂清洁本机。
6. 充电或播放中机器会发热，属正常现象。
7. 请控制音量！在插入耳机前，请先确认音量值在合适位置。
8. 请勿边充电边播放。
9. 如长期不使用本机，需对本机定期充电，以维持其电池性能。
10. 本机不可拆卸，请勿尝试私自拆机更换部件或维修，故障产品请交给授权维修商或寄回本公司维修。
11. 请勿将本机置于火中或者尝试加热本机，否则可能导致电池爆炸。若发现电池位置异常高温高热，请立刻关机，并拔除充电线、耳机及跟外部设备的连接线。
12. 产品执行标准: GB8898-2011
13. 若需使用电源适配器供电，请购买/使用获得产品安全认证并满足安全标准要求的电源适配器。

- 免责声明

- ◆ 对于因对本产品的使用或操作不当而造成的损害（包括意外伤害和人为伤害），制造商、代理商和分销商不负赔偿责任。
- ◆ 本用户手册中的信息是基于当前产品形态编写的，制造商（即 Cayin）可能会在后续出厂的产品中修改、删除或增加部分功能，或者采用新工艺新技术优化产品，如有更改，恕不另行通知。
- ◆ 任何情况下，制造商、代理商和分销商不对因使用本产品造成用户音乐文件损失承担任何责任。

- 故障排除

故障情况	原因分析	解决措施
无法开机	电量过低	充电后再开机
	使用环境温度过高或者过低	避免在极端的环境下使用本机
播放时自动关机	电量偏低	先充电再使用，避免在超低电量下使用本机
耳机没有声音	音量调至很小的位置	调整音量至适合位置
	耳机损坏或接触不良	更换耳机
无法播放音乐文件	音乐文件已损坏	删除损坏的音乐文件，选择其他歌曲播放
	格式不支持	选择其他文件播放
播放音乐提示出错	音乐文件已被移动或修改	重新更新音乐库
USB 解码功能不可用	Windows 未安装本机驱动程序	浏览 <a href="http://www.cayin.cn">www.cayin.cn</a> 官网下载安装适用本机的 USB Audio 驱动程序
	电脑端播放软件未选本机作为输出设备	在电脑端播放软件将 Cayin N3Pro 设为音频输出设备
系统死机		长按电源键强制重启



● 规格参数

基本配置参数规格	
DAC : AK4493EQ*2	电子管 : JAN6418*2
蓝牙版本 :V5.0	固件升级 : OTA 在线或本地升级 ( 通过 TF 卡 )
显示屏 :IPS 3.2" ( 480*360 )	电池容量 : 3.7V 4100mAh
外形尺寸 :115.2*63.5*18.9mm	净重 : 195g±10g

电池数据指标				
续航参数	测试条件	关闭WiFi、蓝牙和屏幕，中增益，音量30，使用32Ω耳机，单曲循环播放44.1kHz 16Bit wav格式音乐文件		
	32Ω负载	3.5 单端		4.4 平衡
		电子管模式	晶体管模式	
	续航时间	≈9H	≈11H	≈9H
充电参数	充电条件	普通充电器 ( DC 5V 2A )		
	充电时间	≈3.5H		

耳机输出			
3.5 PO (晶体管)	输出功率	32Ω	250mW
		150Ω	53mW
		300Ω	27mW
	频率响应	20Hz-20kHz(±0.2dB,Fs=192kHz)	
		3Hz-80kHz(±3dB,Fs=192kHz)	
	总谐波失真+噪音	0.003% ( 1kHz, 20Hz-20kHz,A-Weighted )	
	动态范围	118dB ( 20Hz-20kHz , A-Weighted )	
	信噪比	118dB ( 20Hz-20kHz , A- Weighted )	
	分离度	75dB ( 1kHz , Fs=44.1kHz )	
输出阻抗	0.6Ω		
3.5 PO (电子管)	输出功率	32Ω	130mW
		150Ω	30mW
		300Ω	15mW

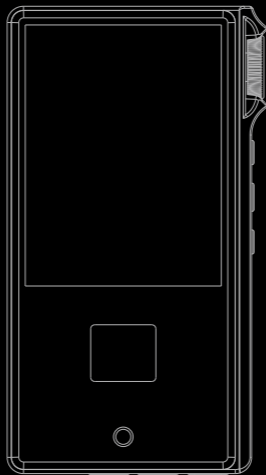
耳机输出			
4.4 PO	输出功率	32Ω	800mW
		150Ω	220mW
		300Ω	110mW
	频率响应	20Hz-20kHz(±0.2dB,Fs=192kHz)	
		5Hz-80kHz(±3dB,Fs=192kHz)	
	总谐波失真+噪音	0.002% ( 1kHz, 20Hz-20kHz,A-Weighted )	
	动态范围	119dB ( 20Hz-20kHz , A-Weighted )	
	信噪比	119dB ( 20Hz-20kHz , A- Weighted )	
	分离度	110dB ( 1kHz )	
	输出阻抗	1.0Ω	

线路输出		
3.5LO	输出电平	2.0V ( @10k $\Omega$ Load,Line Out setting:High ) 1.5V ( @10k $\Omega$ Load,Line Out setting:Mid ) 1.0V ( @10k $\Omega$ Load,Line Out setting:Low )
4.4LO	输出电平	4.0V ( @600 $\Omega$ Load,Line Out setting:High ) 3.0V ( @600 $\Omega$ Load,Line Out setting:Mid ) 2.0V ( @600 $\Omega$ Load,Line Out setting:Low )
3.5/ 4.4 LO	频率响应	20Hz-20kHz( $\pm 0.1$ dB, $F_s=192$ kHz)
		5Hz-80kHz( $\pm 3$ dB, $F_s=192$ kHz)
	总谐波失真+噪音	0.0008% ( 1kHz,20Hz-20kHz,A-Weighted )
	动态范围	118dB ( 20Hz-20kHz,A-Weighted )
	信噪比	118dB ( 20Hz-20kHz,A-Weighted )
	分离度	3.5LO:100dB ( 1kHz, $F_s=44.1$ kHz ) 4.4LO:110dB ( 1kHz, $F_s=44.1$ kHz )

数码界面	
S/PDIF Coaxial Out	连接器：USB-C ( 75Ω )
	PCM：最高支持到24Bit/192kHz
	DSD:最高支持到 DSD64( DoP)
USB Audio Out	连接器：USB-C
	PCM：最高支持到 32Bit/768kHz
	DSD：最高支持到DSD 512(Native模式 ) /DSD256(DoP模式)/PCM88.2kHz(D2P模式)
USB Audio In	连接器：USB-C、异步 USB Audio Class 2.0
	支持 Windows ( 需安装驱动 )、Mac OS、 Android ( 部分设备 )
	PCM：最高支持到32Bit/384 kHz
	DSD：最高支持到DSD 256(Native模式 ) /DSD128(DoP模式)
BT	蓝牙支持输入和输出，支持的编解码格式为:UAT(upto 192kHz)、LDAC(upto 96kHz)、AAC(upto 48kHz )、SBC(upto 48kHz)

*Rayin*

N3Pro Master Quality Digital Audio Player  
User Guide



Thank you for choosing Cayin N3Pro Master Quality digital audio player. Please read through this User Guide before you start to use the player. Please keep the User Guide accessible for future reference.

- **Product Highlights**

Cayin N3Pro is a high quality performance of portable audio player. The followings are some of the highlights of N3Pro:

1. Choice of Vacuum tube and Solid State amplification in single-ended headphone output
2. Support 4.4mm balanced and 3.5mm single-ended headphone output
3. Support 4.4mm balanced and 3.5mm single-ended line output
4. Support USB Audio, S/PDIF digital output
5. Can serve as USB DAC
6. Support multiple Bluetooth audio profiles
7. Support OTA firmware upgrade and music files transfer through WiFi connection
8. Play all popular music file format, PCM decoded up to 32Bit/384kHz, DSD up to DSD256, support SACD-ISO (do not support DST packaged)
9. Can extend storage capacity through TF card and USB OTG.

- **Packaging and Accessories**

Cayin N3Pro Master Quality Digital Audio Player x 1

User Guide (attached with Warranty Card) x 1

Hi-Res Audio label x 2

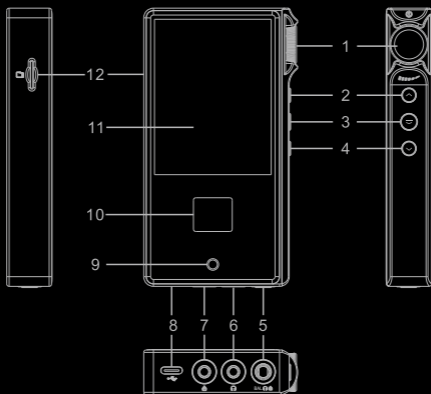
Protective Case x 1

Protective Screen x 1

Type-C USB Cable x 1 ( for music files management through computer and USB charging connection )

Please contact our distributors if any accessory is missing.

## Control and Operation



1. Multi-function Knob (Volume, Power On/Off, screen On/Off)
2. Previous/ Rewind
3. Play/Pause/Stop
4. Next/Fast Forward
5. 4.4mm Balanced Headphone Out/Line Out
6. 3.5mm Single-ended Headphone Out
7. 3.5mm Single-ended Line Out
8. Multi-purpose USB Port (Type-C)
9. HOME/Return
10. Vacuum tube
11. Touch Screen
12. TF socket



- **Basic Operation**

- 1. **Multi-function Knob**

The Multifunction Knob allows you to turn on/off the player, and lock/unlock the main display screen and control the volume.

- ◆ **Power On:** when the player is power off, press the center of the knob into the player for 1 second, the player will turn on and entered the Home screen
- ◆ **Power Off:** when the player is power on, press the center of the knob into the player for 2 seconds, the player will display a pop-up message to confirm your instruction, select OK to turn off the player
- ◆ **Compulsory power off and restart:** when the player is power on, press the center of the knob into the player for 6 seconds, the player will power off and restart
- ◆ **Turn off (lock) screen:** when the screen is on, click the center of the knob once, the screen will turn off and the control buttons will be locked according to the system setup definition.
- ◆ **Light up (unlock) screen:** when the screen is off, click the center of the knob once, the screen will turn on and the control buttons will be unlocked.
- ◆ **Volume Control:** rotate the multi-function knob clockwise to control the volume output. The screen will display the volume control interface when you rotate the knob, you can also slide up and down on the touch screen to control the volume output.

- 2. **Previous/Rewind**

- ◆ **Skip:** Press Previous button and the player will skip to previous track of current playback. You can also skip to previous track by pressing Previous Button on the playback screen.
- ◆ **Rewind:** Long press Previous button and the player will rewind the current playback. You can also drag or point to a particular location at the progress bar to achieve rewind.

### 3. Play/Pause/Stop

- ◆ Play/Pause: Press the Play/Pause button will pause the current playback, push in again will resume the playback. You can also select the Play/Pause button on the playback screen to play and pause the playback.
- ◆ Stop: Press the Play/Pause button into the player and hold for 2 seconds will stop the playback and go back to Home page.

### 4. Next/Fast Forward

- ◆ Skip: Press Next button and the player will skip to the next track. You can also skip to next track by pressing Next Button on the playback screen.
- ◆ Fast Forward: Long press Next button and the player will achieve fast forward of the current playback. You can also drag or point to a particular location at the progress bar to achieve fast forward.

### 5. HOME/Return

- ◆ Playback Screen: Press Home/Return button during playback will jump to the playback screen.
- ◆ Home: Press and hold Home/Return button at any location will bring you back to the Home screen.

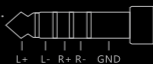
### 6. Browse and Playback

- 1) Select Folder in the Home screen, and then choose the storage location (Local Storage, TF card and OTG) you want to playback from. You can also Scan the Music before the information can be displayed correctly and then continue browsing your music library by choosing your preferred categorization: Classified List, Songs, Artist, Album or Genre.
- 2) On the Playback screen, you can jump Previous/Next track, perform Play/Pause, specify your playback mode, check music information etc. You can also drag or point to a particular location at the progress bar to achieve fast forward or rewind.

## 7.Output Connectors

**Headphone output:** This player is equipped with one 3.5mm single-ended headphone output and one 4.4mm balanced headphone output. Both outputs can drive headphones directly and please select proper connectors for your headphones.

The pin definition of 4.4mm TRRRS balanced connector is as follow. It is important not to create a short circuit between the L+, L-, R+ and R- of the 4.4 mm connector. The Ground connection must not be short circuit as well.



Please do not connect Single-ended headphone to 4.4 headphone output connector with 3.5mm Female to 4.4 Male adapter or it will damage the internal circuitry of the player.

**Line output:** This player is equipped with one singled ended and one balanced line output (shared with headphone output), you can connect the line out of N3Pro to an outboard amplifier. You need an appropriate analogue audio interconnect with reference to the input of your amplifier.

uSet the N3Pro Balanced output to LO from the pull down menu if you want to use the 4.4 mm balanced line output.

uWhen you are using the line output, the volume control of the player will not take effective.

### **Digital output**

N3Pro offers 2 digital output options: S/PDIF and USB Audio. You can select the appropriate digital output that fit your needs accordingly.

#### (1)S/PDIF digital output

Cayin has embedded the S/PDIF signal into Type C connector. In order to connect the player to outboard DAC with S/PDIF input you will need to prepare Digital Output cable in advance for the connection.

- ◆ You have to disconnect all 3.5mm and 4.4mm connections before the S/PDIF output is available.
- ◆ the S/PDIF output is available.

## (2) USB Audio output

The USB Audio output is available for the Type-C USB connector. Please use high quality USB OTG cable to connect N3Pro to outboard DAC with USB Audio input.

### NOTE:

When N3Pro connected to outboard DAC with USB Audio out, the 3.5mm and 4.4mm analogue output will be disabled.

## 8. Output Mode:

N3Pro has Tube Output and Solid State Output. You can choose between them from the Pull Down menu. Regarding Tube Output there are two operation modes. One is TRIODE and the other is Ultralinear and you can also choose from the Pull Down menu. With different operation mode the sound performance is different.



## 9. USB DAC:

The player can be used as a USB DAC when connect to an outboard player with USB output. The bundled USB Type-C to Type A cable might be applicable for this purpose.

#### **NOTE:**

- ◆ To use USB DAC function, you have to toggle USB mode from the Pull Down menu until then “USB DAC” icon is displayed.  
uWhen connected to an outboard player through USB cable, N3Pro will display DAC user interface screen and stop all local playback function.
- ◆ Support Windows, Mac OS and Android (partial) system, Cayin Digital Audio Player can be used as outboard player.  
uComputer, Tablet and Smart phone can be used as outboard player and you need to acquire an appropriate USB cable with reference to the USB port of these outboard players.
- ◆ **NOTE:**
- ◆ When connected as USB DAC, the outboard USB player will feed USB signal and charge the N3Pro at the same time. Please make sure the outboard USB player can fulfill this requirement.
- ◆ Window system might require an appropriate USB Audio Driver before it will recognize N3Pro as a USB DAC. Please download and install appropriate USB Audio driver from <http://en.cayin.cn/>.

## **10. File Management**

Toggle USB mode from the Pull Down menu until then “USB Storage” icon is displayed, connect the USB port of N3Pro to one of the USB port of your computer, your computer should detect the N3Pro within two minutes if it is the first time of connection, and prompt you the appropriate action. When you see the folder tree of your internal storage or TF card display on your computer screen, you are ready to browse and manage your N3Pro music library from your computer.

## **11. Charging the DAP**

N3Pro will start to charge up the battery when you connect the player to a USB charger via a Type-C USB cable (as supplied). A battery charging icon with battery capacity will display on the N3Pro screen when the unit is charging. The smart LED on the Home/Return button will function as a charging indicator: it will flash while charging, and lighted up continuously when charging is completed.

#### **Note:**

- ◆ Charger is not included in N3Pro package, please acquire high quality charger that support N3Pro locally.
- ◆ Please place N3Pro at a well-ventilated environment when you charge the player because the temperature of the player is higher than normal playback during charging. Please don't cover up the player during charging.

- ◆ Please charge up the battery at room temperature. Charging at very high or low temperature might cause battery failure during the charging process.
- ◆ If N3Pro is connected to an USB port of a computer and charging, the player will stop playing music.
- ◆ Please do not use the player during charging.

## 12. Multi-color smart glowing LED

Indicates sampling rate during playback :

- Tangerine : Lossy compression
- Yellow : 44.1/48 kHz
- Green : 88.2/96 kHz
- Blue : 176.4/192 kHz
- Violet : 352.8/384/705.6/768 kHz
- White : DSD

### Charging indicator:

Breathing light when charging;Lighted up continuously when charging is completed.

### Note:

You can enable or disable the Smart LED at the System Setup menu. If you playback music during charging, the Smart LED will be function as charging indicator only.

## 13. Expandable Storage:TF card

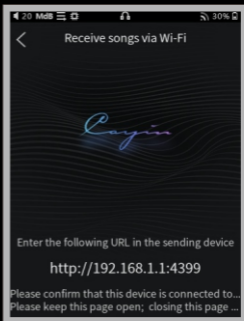
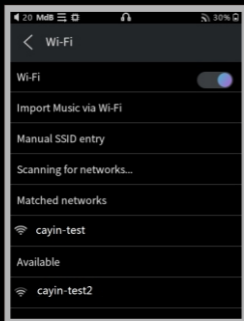
You can extend the local storage capacity to a TF card (up to 1TB).

## 14. Expandable Storage: USB On-the-Go (OTG)

The USB Type C connector supports OTG feature, you can plug in USB Flash Drive or card reader to extend the local storage capacity.

## Wi-Fi and Bluetooth Connection

- ◆ Wi-fi connection: Roll the screen upward from the bottom to click and unfold the System setting menu, click the On/Off button to turn on Wi-Fi function
- ◆ Note: Wi-fi is mainly used for OTA online firmware upgrade and music transfer. Please turn off the function while you playback music for a higher audio quality.



- ◆ Bluetooth Connection: Roll the screen upward from the bottom to click and unfold the System setting menu, click the On/Off button to turn on Bluetooth function. When the Bluetooth is connected, you can use the function of remote control and select quality of tones by "HiBy Link".

**Note:** please turn off Wi-Fi and Bluetooth if you are not using these wireless features because they will consume the battery and reduce the duration of playback.

## Firmware Upgrade

Cayin will release new firmware as needed to improve and optimize the function of N3Pro. Please follow the instructions of the firmware released by <http://en.cayin.cn/> to complete the firmware upgrade procedure.

## Safety Information

1. Do not use the device in extreme environments such as overheating, supercool, dusty or smoky, or highly moisture.
2. Do not place the device near anything can disperse strong magnetic field
3. Do not use the device at thunderstorm.
4. Beware of falling or squeezing or colliding with other hard objects.
5. Do not use chemical solvents or detergents to clean the device.
6. It is normal that the device heats up during charging or playback.
7. Please control the volume! Please confirm that the volume value is in the proper position before inserting the headphones.
8. Please do not use the player during charging
9. If you do not use this device for a long time, you need to periodically charge this device to maintain its battery performance.
10. Please do not attempt to disassemble the device, this may cause damage and void the warranty. Please contact your local dealer when you need warranty and/or repair service.
11. Do not place the unit in a fire or attempt to heat up the player, this may cause the battery to explode. If you notice the battery of the device displace high temperature, please turn off the player and unplug the charging cable, headphones, and whatever connected external devices.
12. GB8898-2011 (Audio, Video and Similar Electronic Apparatus – Safety Requirements), China Quality Certification Centre (CQC)
13. Please charge the device with safety certificated power adapter that meets the standard safety requirements.

## Disclaimer

- The manufacturer, distributor, importer and reseller will not responsible for any damage caused by improper usage or operation of this product, including accidental or human damage.
- The user manual is a documentation of the product based on the specification at the time of print. Cayin reserved the right to change product specification without prior notice. Cayin might include additional features or introduce new technologies subsequently. All specification or function might subject to change without prior notice.
- Under no circumstances will manufacturer, importer and reseller responsible for loss of data as a result of using this product.



## Trouble Shooting

Symptom	Explanation	Remedial Action
Unable to turn on	The battery is too low to be powered on	Charge the battery and try to turn on again
	The temperature of using environment is too high or too low	Avoid using the devices in extreme temperature environment
Auto shut down while playing	The battery is too low	Charging before using, avoid using the player when the battery is too low
No sound from headphones	Volume is too low	Adjust the volume to a suitable position
	The headphone is damaged or bad connections	Change the headphone, make sure all cables are firmly connected
Unable to playback music file	Music file has been damaged	Delete damaged music file or playback other music files
	The player does not support the file format	playback other music files
File playback error	Music file might have been removed or edited	Update music library
USB DAC cannot be recognized	The driver has not been installed or setup properly	download and install appropriate USB Audio driver from <a href="http://en.cayin.cn/">http://en.cayin.cn/</a>
	PC music playback software has not designated this device as playback output	Select N3Pro as system output device at your music playback software on your computer
System Halt		Hold on the Power button to restart the player or RESET button to restart

## Specifications

Product Highlights	
DAC : AK4493EQ*2	Vacuum Tube : JAN6418*2
Bluetooth Version:V5.0	OTA and Manual ( via TF card )
Display :IPS 3.2" ( 480*360 )	Battery : 3.7V 4100mAh
Dimension:115.2*63.5*18.9 mm	Net Weight : 195g±10g

Battery and Duration Parameters				
Battery Duration	Testing Condition	Testing Condition: WiFi, Bluetooth Disabled, Screen off, Mid gain, Volume 30, 32 ohm Heaphone, Playback 16 bit 44.1kHz WAV format		
	32Ω loading	3.5mm Single-ended		4.4mm Balanced
		Vacuum Tube	Solid State	
	duration	≈9H	≈11H	≈9H
Charging	Charging Condition		Standard ( DC 5V 2A )	
	Charging Time		≈3.5H	

Headphone Output			
3.5 PO ( Solid State )	Power rating	32Ω	250mW
		150Ω	53mW
		300Ω	27mW
	Frequency Response	20Hz-20kHz(±0.2dB,Fs=192kHz)	
		3Hz-80kHz(±3dB,Fs=192kHz)	
	THD+N	0.003% ( 1kHz, 20Hz-20kHz,A-Weighted )	
	Dynamic Range	118dB ( 20Hz-20kHz , A-Weighted )	
	SNR	118dB ( 20Hz-20kHz , A- Weighted )	
	Channel Separation	75dB ( 1kHz , Fs=44.1kHz )	
Output Impedance	0.6Ω		
3.5 PO ( Vacuum Tube )	Power rating	32Ω	130mW
		150Ω	30mW
		300Ω	15mW

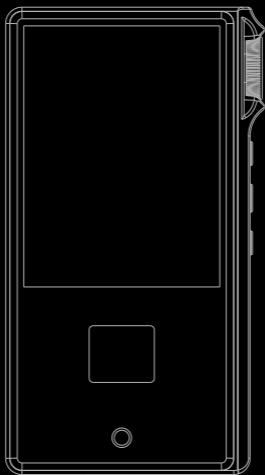
Headphone Output			
4. 4 PO	Power rating	32Ω	800mW
		150Ω	220mW
		300Ω	110mW
	Frequency Response	20Hz-20kHz(±0.2dB,Fs=192kHz)	
		5Hz-80kHz(±3dB,Fs=192kHz)	
	THD+N	0.002% ( 1kHz, 20Hz-20kHz,A-Weighted )	
	Dynamic Range	119dB ( 20Hz-20kHz , A-Weighted )	
	SNR	119dB ( 20Hz-20kHz , A- Weighted )	
	Channel Separation	110dB ( 1kHz )	
	Output Impedance	1.0Ω	

Line Output		
3.5LO	Output Level	2.0V ( @10k $\Omega$ Load,Line Out setting:High ) 1.5V ( @10k $\Omega$ Load,Line Out setting:Mid ) 1.0V ( @10k $\Omega$ Load,Line Out setting:Low )
4.4LO	Output Level	4.0V ( @600 $\Omega$ Load,Line Out setting:High ) 3.0V ( @600 $\Omega$ Load,Line Out setting:Mid ) 2.0V ( @600 $\Omega$ Load,Line Out setting:Low )
3.5/ 4.4 LO	Frequency Response	20Hz-20kHz( $\pm 0.1$ dB,Fs=192kHz)
		5Hz-80kHz( $\pm 3$ dB,Fs=192kHz)
	THD+N	0.0008% ( 1kHz,20Hz-20kHz,A-Weighted )
	Dynamic Range	118dB ( 20Hz-20kHz,A-Weighted )
	SNR	118dB ( 20Hz-20kHz,A-Weighted )
	Channel Separation	3.5LO:100dB ( 1kHz,Fs=44.1kHz ) 4.4LO:110dB ( 1kHz,Fs=44.1kHz )

Digital Interface	
S/PDIF Coaxial Out	Connector : USB-C ( 75Ω )
	PCM : upto 24Bit/192kHz
	DSD : upto DSD64 ( DoP )
USB Audio Out	Connector : USB-C
	PCM : upto 32Bit/768kHz
	DSD : upto DSD 512(Native)/DSD256(DoP)/PCM88.2kHz(D2P)
USB Audio In	Connector : USB-C,Asynchronous USB Audio Class 2.0
	Support Windows ( drivers required ) ,Mac OS,Android ( partial )
	PCM : upto 32Bit/384kHz
	DSD : upto DSD 256(Native)/DSD128(DoP)
Bluetooth	Duplex Bluetooth. Supported Codec: UAT(upto 192kHz), LDAC(upto 96kHz), AAC(upto 48kHz ) , SBC(upto 48kHz)

*Carvin*

N3ProマスタークオリティDAP  
ユーザーガイド



Cayin N3ProマスタークオリティDAPをご購入いただき、誠にありがとうございます。

製品ご使用の前に本ユーザーガイドをご一読ください。また、今後の参照のために本ユーザーガイドは保管して下さい。

## プロダクトハイライト

N3Proは高性能ポータブル・オーディオプレーヤーの機能を備えています。N3Proの特徴は下記に挙げられます。

1. シングルエンドの出力時に真空管あるいはソリッドステートのアンプを選択可能。
2. 4.4mmバランス及び3.5mmシングルエンド・ヘッドホン出力に対応。
3. 4.4mmバランス及び3.5mmシングルエンド・ラインアウト出力に対応。
4. USBオーディオ、S/PDIFデジタル出力に対応。
5. USB DAC機能搭載。
6. 複数のBluetoothオーディオプロファイルに対応。
7. WiFi接続を通じて、ファームウェアのOTAアップグレード及び楽曲ファイル転送が可能。
8. ほとんど全ての楽曲フォーマットに対応。PCM最大32Bit/384kHz、DSD最大256、SACD-ISOフォーマットを使用可（DSTエンコードには対応していません）。
9. MicroSDカードやUSB OTGでストレージ容量の拡張可能。

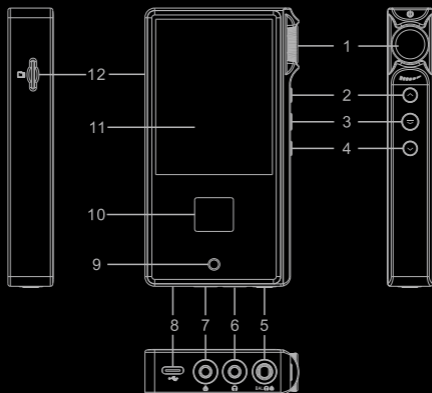
## 内容物

- Cayin N3ProマスタークオリティDAP x 1
- ユーザーガイド（保証書付属）
- ハイレゾオーディオラベル x 2
- 専用保護ケース x 1
- スクリーンプロテクター x 1
- Type-C USBケーブル x 1（充電、データ転送用）

万が一、不足物がありましたら正規代理店（（株）コベックジャパン）までお知らせ下さい。



## コントロールと操作



1. マルチファンクション・ノブ（ボリューム、電源ON/OFF、スクリーンON/OFF）
2. 前曲へ/巻戻し
3. 再生/一時停止/停止
4. 次曲へ/早送り
5. 4.4mmバランスフォンアウト/ラインアウト
6. 3.5mmシングルエンドフォンアウト
7. 3.5mmシングルエンドラインアウト
8. マルチファンクションUSBポート（Type-C）
9. ホーム/戻る
10. 真空管
11. タッチスクリーン
12. MicroSDカードスロット

## 基本操作

### 1. マルチファンクション・ノブ

マルチファンクション・ノブから電源**ON/OFF**,スクリーン**ON/OFF**, ボリュームの操作が可能です。

- ◆ 電源**ON** : プレーヤーの電源が**OFF**の時、マルチファンクションノブを**1秒**長押しすることで、プレーヤーの電源が**ON**になり、ホームスクリーン画面が表示されます。
- ◆ 電源**OFF** : プレーヤーの電源が**ON**の時、マルチファンクションノブを**2秒**長押しすると、プレーヤーの電源を**OFF**にするかどうかのメッセージが表示されます。**OK**を選択することで電源が**OFF**になります。
- ◆ 強制シャットダウンと再起動 : プレーヤーの電源が**ON**の時、マルチファンクションノブを**6秒**長押しすることで、プレーヤーの状況に関わらず、電源が**OFF**となり再起動します。
- ◆ スクリーン**OFF** : スクリーンが点灯時、マルチファンクションノブを一度クリックすると、スクリーンが消灯します。スクリーン消灯中コントロールボタンはシステム的环境設定によってはロック/アンロックを選択することが出来ます。
- ◆ スクリーン**ON** : スクリーンが消灯時、マルチファンクションノブを一度クリックすると、スクリーンが点灯し、コントロールボタンが操作出来るようになります。
- ◆ ボリュームコントロール : マルチファンクションノブを回転させることでボリュームの調整が出来ます。ノブを回した際に、スクリーンにはボリュームコントロール画面が表示されます。また、ボリュームコントロール画面で上下にスライドさせることでも調整が可能です。

### 2. 前曲へ/巻戻し

- ◆ スキップ : 「前曲へ/巻戻し」ボタンを押すと前曲に戻ります。同様に再生中スクリーンでの操作も可能です。
- ◆ 巻戻し : 「前曲へ/巻戻し」ボタンを長押しすることで再生中の楽曲の巻戻しを行います。同様に再生中スクリーンにてSeekBarをドラッグもしくはタップすることで巻戻しを行うことも可能です。

### 3. 再生/一時停止/停止

- ◆ 再生/一時停止: 「再生/一時停止」ボタンを押すと再生中の曲が一時停止します。もう一度押すと再生します。同様に再生中スクリーンでの操作も可能です。
- ◆ 停止: 「再生/一時停止」ボタンを約2秒間長押しすると再生が停止してホーム画面に戻ります。

### 4. 次曲へ/早送り

- ◆ スキップ: 「次曲へ/早送り」ボタンを押すと次曲にスキップします。同様に再生中スクリーンにて「次曲へ」表示をクリックすることで次曲にスキップすることも可能です。
- ◆ 早送り: 「次曲へ/早送り」ボタンを長押しすることで再生中の楽曲の早送りを行います。同様に再生中スクリーンにてシークバーをドラッグもしくはタップすることで早送りを行うことも可能です。

### 5. ホーム/戻る

- ◆ 再生中スクリーン: 再生中に「ホーム/戻る」ボタンを押すと、再生中スクリーンが表示されます。
- ◆ ホーム画面: 「ホーム/戻る」ボタンを押すことで、どこからでもホーム画面に戻ります。

### 6. ブラウズ/再生

- ◆ ホーム画面でフォルダーを選択して、ストレージ画面で「内蔵ストレージ」「MicroSDカード」「OTG」からお好みのストレージを選択します。楽曲のスキャンを行うと楽曲ライブラリのカテゴリ（プレイリスト、楽曲、アーティスト、アルバム、ジャンル）にストレージ内の楽曲が反映されます。
- ◆ 再生中スクリーンにて、前曲もしくは次曲へのスキップ、再生、一時停止の操作が可能です。また楽曲の情報を確認したり、シークバーをドラッグもしくはタップすることで早送りもしくは巻戻しを行うことも可能です。

## 7. 出力コネクタ

フォンアウト: N3Proの出力コネクタは、3.5mmシングルエンドフォンアウト端子及び4.4mmバランスフォンアウト端子を備えています。これらの出力は直接ヘッドホンやイヤホンを駆動することができます。ご使用のヘッドホンやイヤホンのプラグに合わせてご使用ください。

4.4mmバランスプラグはTRRSの配列になっています。L+, L-, R+ and R-間でのショートが発生することがないようにご注意ください。グランドコネクションは絶対にショートさせないでください。



シングルエンドヘッドホン（イヤホン）を4.4mm（Male）to 3.5mm（Female）変換プラグを使用して、4.4mmバランスフォンアウト端子に接続しないでください。本体の内部回路に悪影響があり故障の原因になる場合があります。

ラインアウト: N3Proはシングルエンドとバランス・ラインアウト（ヘッドフォン出力と共有）をそれぞれ一つずつ標準装備しております。外部アンプをN3Proのラインアウトに接続できます。接続の際は、お使いのアンプに入力するために適切なアナログオーディオケーブルをご用意ください。

- ◆ 3.5mm端子からのラインアウトはフォンアウトと独立しているため設定の必要はありませんが、4.4mm端子はフォンアウトとラインアウト端子を共有しているため、N3Pro本体のプルダウンメニューにて「PO（Phone out）」「LO（Line out）」の切り替えが必要です。
- ◆ ラインアウト選択時は、本体ボリュームは最大出力に固定しているためN3Pro本体でのボリューム操作は無効となります。

### デジタル出力

N3Proは2つのデジタル出力オプションがあります。S/PDIF及びUSBオーディオです。

適したデジタル出力を選択して使用下さい。

## (1) S/PDIFデジタル出力

CayinはS/PDIF信号をType Cコネクタへ経由させる機能を搭載しています。プレーヤーをS/PDIF入力を備えた外部DACに接続するには、接続用のデジタル出力ケーブルを事前に準備する必要があります。

- ◆ S/PDIF出力を使用する前に全ての3.5mmと4.4mmの接続を解除して下さい。

## (2) USBオーディオ出力

USBオーディオ出力はType-C USBコネクタに対応可能です。N3Proと外部DACのUSBオーディオ入力との接続には高品質USB OTGケーブルを使用して下さい。

注意：

- ◆ N3Proを外部DACのUSBオーディオ出力に接続する場合、3.5mmと4.4mmアナログ出力は機能しません。

## 8.真空管 / ソリッドステート出力モード

N3Proは真空管出力とソリッドステート出力のモードがあります。ユーザー様はプルダウンメニューよりお好みに応じてお選びいただけます。

さらに真空管出力モードでは「Triode」と「Ultralinear」の2つのモードがあり、こちらもプルダウンメニューよりお選びいただけます。それぞれのモードにより異なるサウンドをお楽しみいただけます。



## 9. USB DAC:

USB出力を持ち合わせている外部プレーヤーと接続した際、N3ProはUSB DACとして機能します。基本的に付属のUSB Type-C to Type Aケーブルを接続用としてご使用いただけます。

注意：

- ◆ USB DACの機能を使用するためには、プルダウンメニューからUSBモードより"USB DAC"アイコンを表示させて下さい。
- ◆ USBケーブルを使用して外部プレーヤーと接続した際、N3ProはDACのインターフェースを表示し、N3Pro本体からの再生機能を停止します。
- ◆ Windows（ドライバーが必要）、Mac OS、Andoroidの一部のシステムで、N3Proは外付けプレーヤーとしてお使いいただけます。
- ◆ パソコン、タブレット、スマートフォンを外付けプレーヤーとしてお使いいただけます。その際、適切なUSBケーブルを利用して下さい。

### 注意：

- ◆ USB DACとして接続する場合、外部USBプレーヤーはUSB信号を送り、また同時にN3Proへの充電も行います。外部USBプレーヤーがこの条件を満たすことを確認して下さい。
- ◆ WindowsシステムがN3ProをUSB DACとして認識するために、システムにUSBオーディオドライバーをインストールする必要がある場合があります。ドライバーは下記弊社サイトのリンク先よりダウンロードして下さい。

【CayinユニバーサルUSBオーディオドライバー】

[https://kopek.jp/news\\_latest/cayindrver4-47-0/](https://kopek.jp/news_latest/cayindrver4-47-0/)

## 10. ファイル管理

プルダウンメニューからUSBモードより“USBストレージ”のアイコンが表示されるように設定して下さい。N3ProのUSB Type-CポートからパソコンのUSBポートに接続して下さい。パソコンがN3Proを認識してから、必要なファイル管理を行って下さい。パソコンに表示される内部ストレージあるいはSDカードがフォルダ階層として表示され、パソコン上からN3Proのファイル管理を行うことができます。

## 11. N3Pro本体の充電

付属のType-Cケーブルを利用し、USBチャージャーにN3Proを接続すると、バッテリーの充電を開始します。充電中は、バッテリー容量とともに充電中のアイコンが画面に表示されます。ホーム/戻るボタンのLEDが充電中のインディケータとして機能します。すなわち、充電中は点滅、充電が完了すると点灯に変わります。

### 注意：

- ◆ USBチャージャーは同梱されていません。必要な場合はN3Proの仕様をサポートするUSBチャージャーを別途ご購入ください。
- ◆ N3Proを充電する際には、空気の通りの良い場所に置いて行って下さい。充電中は、再生中よりも高温になりますので、プレーヤーを何かで覆うようなことはしないでください。

- ◆ 充電は室内温度環境下で行って下さい。高温あるいは低温環境下ですと、バッテリーが正しく充電されない、またはバッテリーに悪影響を及ぼす場合があります。
- ◆ パソコンのUSBポートを利用してN3Proを充電する場合は、再生が停止されます。
- ◆ 充電中は不必要なN3Proの操作はお控えください。

## 12. マルチカラー・スマートLED

- タンジェリン：圧縮率の高い低品質ファイル
- イエロー：44.1/48 kHz
- グリーン：88.2/96 kHz
- ブルー：176.4/192 kHz
- 紫：352.8/384/705.6/768 kHz
- 白：DSD

充電中インディケータ：

- 充電中の点滅：充電が完了すると点灯に変わります

### 注意：

システム環境設定よりLED表示のON/OFFが選択できます。充電中に再生する場合、LEDは充電用の表示のみとなります。

## 13. ストレージの拡張:MicroSDカード

MicroSDカードに楽曲ファイルをコピーすることで内蔵ストレージをより有効に使えます。（SDカードは最大1TBまで対応）

## 14. ストレージの拡張：USB OTG

N3ProのUSB Type CコネクタはOTG機能をサポートしています。USBフラッシュドライブやカードリーダーを接続し、N8のストレージを拡張することが出来ます。



## Wi-Fi & Bluetooth接続

- ◆ WiFi接続: システム環境設定メニューより、WiFi機能のON/OFFを選択します。
- ◆ 注意: WiFiは主にオンラインにおけるOTAファームウェアアップデートでの使用を想定しています。音楽再生中は、電波干渉によるノイズ防止の観点より、WiFiをOFFすることを推奨いたします。



- ◆ Bluetooth接続: システム環境設定メニューより、Bluetooth機能のON/OFFを選択します。Bluetooth接続時は“HiBy Link”のリモートコントロール機能をご使用いただけます。

注意: WiFi及びBluetooth機能を使用していない時は、バッテリーの消費を最小限に抑えるために、双方の設定をOFFすることを推奨いたします。

### ファームウェア・アップグレード

Cayinは、N3Proの機能を改善、最適化するために必要に応じて新しいファームウェアをリリースします。

下記リンク先もしくは(株)コペックジャパンがご案内する新しいファームウェアの情報ページより、ファームウェアアップグレードを行って下さい。

<http://en.cayin.cn/>

## 安全上の注意

- 1.本機を極端な高温、低温環境で使用しないで下さい。また湿度の高い場所や埃、煙が立ち込めているような場所で使用しないで下さい。
- 2.磁力の強い物の近くに本機を近づけないで下さい。
- 3.激しい雷雨の中でのご使用はお避け下さい。破損あるいは正しく動作しなくなる原因になる可能性があります。
- 4.本機を落としたり、曲げたり、またぶつけることのないよう気をつけて使用して下さい。
- 5.本機をお手入れする時には、化学薬品や液体物を使用しないで下さい。
- 6.充電及び再生中に本機が熱を持つことは、正常な動作の範囲に含まれます。
- 7.ボリュームを適切に調整して下さい。またヘッドホンを使用する前に、必ずボリュームが適切なレベルになっているかを確認して下さい。
- 8.充電中は不必要なプレーヤーの使用はお控え下さい。
- 9.長期間本機を使用しない場合でも、可能な限り必要に応じて充電するようにして下さい。バッテリーのパフォーマンス維持に役立ちます。
- 10.本機の分解はしないで下さい。破損の原因となり、保証の適応が困難になります。また保証、修理が必要な際は代理店までお問い合わせ下さい。
- 11.火の中に本機を入れたり、熱したりすることはしないで下さい。バッテリーが爆発する可能性があります。本機を火に近づけないで下さい。本機のバッテリーが過度に高温になった場合は、本機の電源をOFFにし、全てのケーブルを本機より取り外して下さい。
- 12.GB8898-2011 (Audio, Video and Similar Electronic Apparatus – Safety Requirements), China Quality Certification Centre (CQC)
- 13.本機を充電するために別途ACアダプターを使用する際は、認証済みのアダプターを用意して、安全に充電することをおすすめいたします。

## 免責事項

- ◆ メーカー、代理店、輸入者、販売店は不適切な本機の使用に基づく人的・物的破損等に責任を負いません。
- ◆ 本ユーザーガイドは印刷時点でのスペックに基づいた文書となります。Cayinは事前の予告なしに、製品仕様を変更する権利を保持します。Cayinは、必要に応じて追加の機能や新しい技術を提供する可能性があります。
- ◆ 本製品の使用によった場合で起きたデータ破損であっても一切責任を負いません。予めご了承ください。

## トラブルシューティング

症状	説明	対応方法
起動しない	バッテリーが不足している	バッテリーを充電し、再度電源をONにして下さい。
	使用時の温度が高温あるいは低温	過度な温度環境下での使用はお控え下さい
再生中にシャットダウンする	バッテリー残量が少なすぎる	ご使用前に充電を行って下さい。バッテリー残量が少ない場合の使用はお控え下さい。
ヘッドホン（イヤホン）から音が出ない	ボリュームレベルが低すぎる	適切なレベルにボリュームを調整して下さい。
	ヘッドホン（イヤホン）が故障している、あるいは接続不良	ヘッドホンを交換するか、接続が正しくされているか確認して下さい。
楽曲ファイルを再生出来ない	楽曲ファイルが破損している	破損しているファイルを削除して下さい
	ファイルフォーマットがサポートされていない	他のフォーマットをお試し下さい。
再生エラー	楽曲ファイルが削除されている、あるいは改変されている	ライブラリーをアップデートして下さい

USB DACが認識されない	ドライバーがインストールされていない、あるいはセットアップが正しく行われていない	Windowsをお使いの場合、下記弊社サイトのリンク先よりドライバーのダウンロードの上、インストールをお願いいたします。【CayinユニバーサルUSBオーディオドライバー】 <a href="https://kopek.jp/news_latest/cayindriver-ver4-47-0/">https://kopek.jp/news_latest/cayindriver-ver4-47-0/</a>
	パソコンの再生ソフトで本機を再生出力先として選択されていない	パソコン上の再生ソフトからN3 Proを出力先として選択して下さい
システムが停止する		電源ボタンを長押しして再起動するか、リセットボタンを押して再起動して下さい

## 仕様

Product Highlights	
DAC : AK4493EQ*2	Vacuum Tube : JAN6418*2
Bluetooth Version:V5.0	ファームウェアアップグレード: OTAあるいは手動 (SDカード経由)
Display :IPS 3.2" ( 480*360 )	Battery : 3.7V 4100mAh
Dimension:115.2*63.5*18.9 mm	Net Weight : 195g±10g

バッテリー及び再生時間等				
バッテ リー時間	テスト環境	WiFi, Bluetooth, スクリーンはOFF Midゲインでボリューム30、32Ωのヘッドホンを使用再生楽曲は16 bit 44.1kHz WAV		
	32Ω loading	3.5mm シングルエンド		4.4mm バランス
		真空管	ソリッドステート	
	持続時間	≈9H	≈11H	≈9H
充電時間	充電環境		標準的なチャージャー(5V-2A)	
	所要時間		≈3.5H	

ヘッドホン出力			
3.5 PO (ソリッドステート)	Power rating	32Ω	250mW
		150Ω	53mW
		300Ω	27mW
	Frequency Response	20Hz-20kHz(±0.2dB, Fs=192kHz)	
		3Hz-80kHz(±3dB, Fs=192kHz)	
	THD+N	0.003% ( 1kHz, 20Hz-20kHz, A-Weighted )	
	Dynamic Range	118dB ( 20Hz-20kHz , A-Weighted )	
	SNR	118dB ( 20Hz-20kHz , A-Weighted )	
Channel Separation	75dB ( 1kHz , Fs=44.1kHz )		
Output Impedance	0.6Ω		

3.5 PO (真空管)	Power rating	32Ω	130mW
		150Ω	30mW
		300Ω	15mW

ヘッドホン出力			
4.4 PO	Power rating	32Ω	800mW
		150Ω	220mW
		300Ω	110mW
	Frequency Response	20Hz-20kHz(±0.2dB, Fs=192kHz)	
		5Hz-80kHz(±3dB, Fs=192kHz)	
	THD+N	0.002% ( 1kHz, 20Hz-20kHz, A-Weighted )	
	Dynamic Range	119dB ( 20Hz-20kHz , A-Weighted )	
	SNR	119dB ( 20Hz-20kHz , A-Weighted )	
	Channel Separation	110dB ( 1kHz )	
Output Impedance	1.0Ω		

ラインアウト		
3.5mm LO	Output Level	2.0V ( @10k $\Omega$ Load,Line Out setting:High ) 1.5V ( @10k $\Omega$ Load,Line Out setting:Mid ) 1.0V ( @10k $\Omega$ Load,Line Out setting:Low )
4.4mm LO	Output Level	4.0V ( @600 $\Omega$ Load,Line Out setting:High ) 3.0V ( @600 $\Omega$ Load,Line Out setting:Mid ) 2.0V ( @600 $\Omega$ Load,Line Out setting:Low )
3.5/ 4.4 LO	Frequency Response	20Hz-20kHz( $\pm 0.1$ dB, Fs=192kHz)
		5Hz-80kHz( $\pm 3$ dB, Fs=192kHz)
	THD+N	0.0008% ( 1kHz,20Hz-20kHz,A- Weighted )
	Dynamic Range	118dB ( 20Hz-20kHz,A-Weighted )
	SNR	118dB ( 20Hz-20kHz,A-Weighted )
	Channel Separation	3.5LO:100dB ( 1kHz,Fs=44.1kHz ) 4.4LO:110dB ( 1kHz,Fs=44.1kHz )

デジタルオーディオインターフェイス	
S/PDIF Coaxial Out	Connector : USB-C ( 75Ω )
	PCM : upto 24Bit/192kHz
	DSD : upto DSD64 ( DoP )
USB Audio Out	Connector : USB-C
	PCM : upto 32Bit/768kHz
	DSD : upto DSD 512(Native)/DSD256(DoP)/PCM88.2kHz(D2P)
USB Audio In	Connector : USB-C,Asynchronous USB Audio Class 2.0
	Support Windows ( drivers required ) ,Mac OS,Android ( partial )
	PCM : upto 32Bit/384kHz
	DSD : upto DSD 256(Native)/DSD128(DoP)
Bluetooth	Duplex Bluetooth. Supported Codec: UAT(upto 192kHz), LDAC(upto 96kHz), AAC(upto 48kHz ) , SBC(upto 48kHz)





## 产品保修卡

尊敬的顾客，您好！

承蒙惠顾 Cayin 音响产品，谨致谢意！为保障您的权益，请您在购机后仔细阅读以下内容：

一、下列情况不属于免费保修范围，斯巴克公司可提供有偿服务，敬请留意：

1. 未按使用说明书要求安装、使用、维护、保管导致产品故障或损坏；
2. 擅自涂改、撕毁产品序列号或者条形贴纸；
3. 已经超出包换保修期限；
4. 产品保修卡上产品序列号或型号与产品本身不符；
5. 未经斯巴克公司许可，擅自拆机修理；
6. 因意外因素或人为行为导致的产品损坏，如使用不合适的电源，信号源及高温、进水、机械破坏、摔坏等等。
7. 客户发回返修途中由于运输、装卸导致的故障或损坏。
8. 其他非产品设计、技术、制造、质量等原因而导致的故障或损坏。

二、Cayin 音响产品的售后服务承诺：主机一年保修，若产品在购买后15天内出现性能问题，且外观无划伤，可直接更换相同型号产品；请用户负责将返修产品发回斯巴克公司售后服务部。

特别说明：



1. 外置电源或内置可充电电池的保修期限为3个月。如果返修电源或电池有明显的硬物损伤、裂痕、断脚、严重变形及电源线破损、断线、裸芯等现象则不予包换，用户可另行购买；

2. 保修包换仅限于主机；

3. 产品的包装、各类连接线、技术资料及赠品等附件不在保修包换范围内；

4. 在免费包换期间，产品经过斯巴克公司检测，确认故障后，可更换相同型号的返修良品，更换的瑕疵备件归斯巴克公司所有；无故障产品，将原样退回；

5. 经斯巴克公司包换、保修过的产品将享受原始承诺质保的剩余期限再加3个月的质保期；

6. 如产品为付费维修，同一性能问题将享受自修复之日起3个月止的免费保修，请索取并保留好您的维修凭证；

7. 返修产品的邮寄费用由发送方单向负责；

8. 经销商向您做出的超出斯巴克公司保修条款范围的其它承诺，斯巴克公司不承担任何责任。

### 三、技术支持：

在您送修产品之前，请致电本公司售后服务人员以确定产品故障，您也可以通过访问本公司网站 [www.cayin.cn](http://www.cayin.cn) 或发送电子邮件给斯巴克售后服务部，寻求技术支持。

四，产品保修卡内容的最终解释权及修改权归珠海斯巴克电子设备有限公司



产品型号		用户姓名	
产品序列号		用户电话	
购买日期		用户地址	
经销商(盖章)		电子邮件	

维修记录

序号	送修日期	故障现象	处理结果	维修签字	用户签字
1					
2					
3					
4					
5					
6					



欢迎扫描二维码访问：



官网



微信号



新浪微博



Facebook

珠海斯巴克电子有限公司

[www.cayin.cn](http://www.cayin.cn)

电话：0756-3828711 传真：0756-3828722 E-mail：market@cayin.cn

地址：广东省珠海市联港工业区联发路9号

邮编：519045

重要说明: *Cayin* 为珠海斯巴克电子有限公司注册商标！购买是请认清此标志，提防假冒！

V3.0\_20200803